

PLAN OF ADMIN. OFFICE



STRUCTO CREATIONS
(STRUCTURE CONSULTANT)

JAGAT RAM PARK,
LAXMI NAGAR, NEW DELHI -110092
EMAIL : msansari6313@gmail.com

NAME OF PROJECT :

JORHAT AGRO PRIVATE
LIMITED C/O SRI PALASH
HAZARIKA MS HAZARIKA,
RICE MILL KHERAMA KACHARI
GAON BORHOLLA, JORHAT ,
JORHAT ,ASSAM , INDIA, 785631

CLIENT / SPV :

JORHAT AGRO
PRIVATE LIMITED

DRAWING NO.

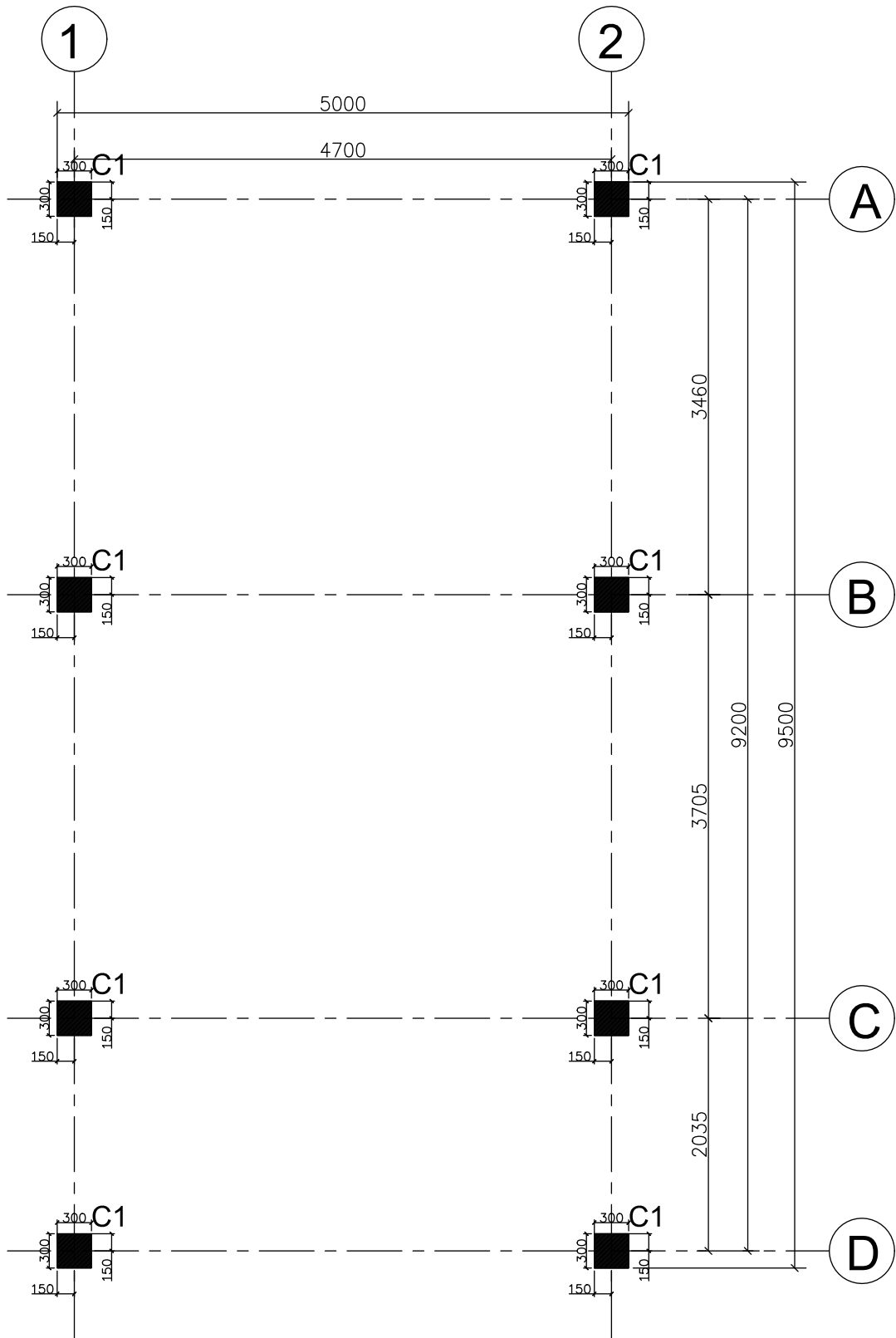
04-01

DRAWING TITLE -
OFFICE BUILDING
PLAN

PUPOSE - TENDER DRAWING

Drawn By :- Saeed Ansari

DATE- 09-09-2021



ADMIN CENTER LINE PLAN

STRUCTO CREATIONS
(STRUCTURE CONSULTANT)

JAGAT RAM PARK,
LAXMI NAGAR, NEW DELHI -110092
EMAIL : msansari6313@gmail.com

NAME OF PROJECT :

JORHAT AGRO PRIVATE
LIMITED C/O SRI PALASH
HAZARIKA MS HAZARIKA,
RICE MILL KHERAMA KACHARI
GAON BORHOLLA, JORHAT ,
JORHAT ,ASSAM , INDIA, 785631

CLIENT / SPV :

JORHAT AGRO
PRIVATE LIMITED

DRAWING NO.

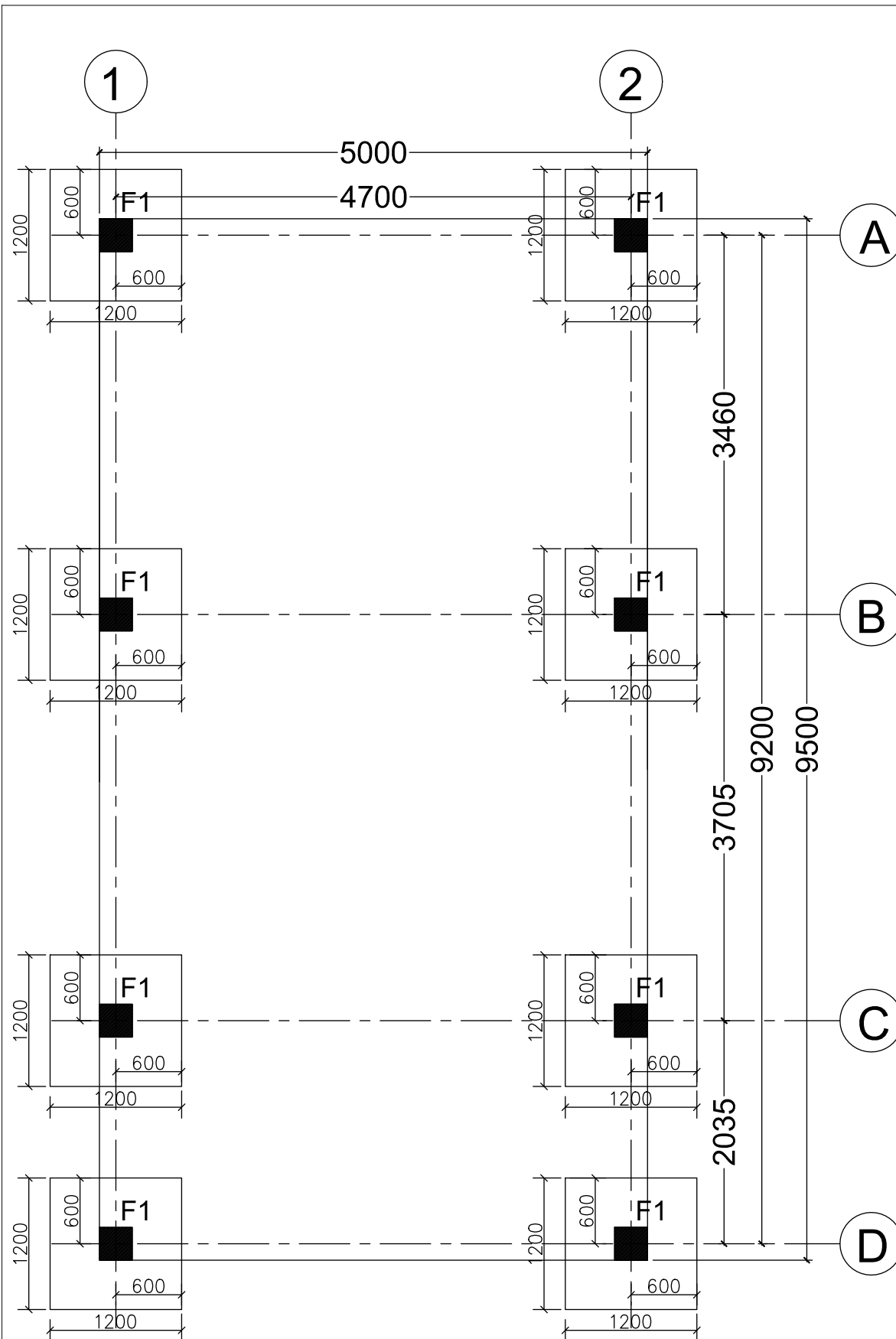
04-02

DRAWING TITLE -
OFFICE BUILDING
CENTERLINE PLAN

PUPOSE - TENDER DRAWING

Drawn By :- Saeed Ansari

DATE- 09-09-2021



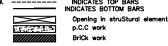
- GENERAL NOTES -**
- NOTES & REFERENCES**
1. READ THIS DRAWING IN CONJUNCTION WITH RELEVANT ARCHITECTURAL DRAWINGS. ANY DISCREPANCY IF FOUND SHALL BE BROUGHT TO THE NOTICE OF CONSULTANT.
 2. ALL DIMENSIONS ARE IN MM & LEVELS IN MILLIMETERS.
 3. DO NOT SCALE ANY DIMENSION.
 4. CONFIRM LOCATION OF WALLS WITH RELEVANT ARCH. DRAWS.
 5. CONCRETE GRADE IS M20.
 6. THE REINFORCEMENT SHALL BE SOLIDWELDED DEFORMED BARS (LTD) OR TMT. BARS HAVING YIELD STRENGTH NOT LESS THAN 500 N/mm² AND CONFORMING TO IS: 1786 - 2008.
 7. THE CLEAR COVER TO THE REINFORCEMENT SHALL BE AS FOLLOWS -
 - (a) FOUNDATION : 50 MM
 - (b) COLUMNS : 40 MM
 - (c) BEAMS (top & bottom) 30 MM side Cover 25mm
 - (d) SLABS : 25 MM
 - (e) CHAJJAS/CANOPY : 30 MM
 8. (i) R.C.C. WALL : 30 MM(EARTH FACE) & 25MM(INNER FACE)
 9. NOT MORE THAN 50% OF THE BARS SHALL BE LAPPED AT ANY SECTION. LAPS CLOSE TO THE MID SPAN IN BOTTOM BARS & CLOSE TO SUPPORTS IN TOP BARS SHALL BE AVOIDED. LAP LENGTH IS 30D IS 6 DIAMETER OR 60D.
 10. INDICATES TOP BARS
 11. INDICATES BOTTOM BARS
 12. Quantity in structural element
 13. R.C.C. work
 14. ALL R.C.C. TO BE MACHINE MIXED, VIBRATED AND CURED THOROUGHLY AS PER IS: 456-1987.
 15. ALL FOOTINGS ARE CENTRALLY PLACED WITH RESPECTED TO THE CENTER LINE OF COLUMN.
 16. REINFORCEMENT SHALL BE PROVIDED IN TWO LAYERS WHEREVER FOUND NECESSARY WITH SPACER BARS TO BE PROVIDED BETWEEN TWO LAYERS OF REINFORCEMENTS AS PER IS: 456-1987.
 17. ALL DIMENSIONS MUST BE CHECKED WITH ARCHITECT'S DRAWS & IN CASE OF ANY DISCREPANCY ARCHITECT'S DRAWS SHALL PREVAIL.
 18. ALL CONSTRUCTION JOINTS SHALL BE APPROVED BY CONSULTANT ON THE BASIS OF SPECIES PREPARED BY CONTRACTOR.
 19. TOP AND BOTTOM EXTRA BARS IN BEAMS TO EXTEND BEYOND THE FACE OF SUPPORT AS SHOWN IN DIM UNLESS OTHERWISE SHOWN.
 20. THE FIRST STRIPPER IN BEAMS SHALL BE AT A DISTANCE OF 50MM FROM THE FRONT FACE. THE SPECIAL CORNER REINFORCEMENT SHALL BE PROVIDED THROUGH THE CORNER AT THE CORNER SPACING IS COLUMN.
 21. ALL ANGLES ARE RIGHT ANGLES UNLESS OTHERWISE SPECIFIED.
 22. PROVIDE DETAIL OVER EXTRA TOP BARS IS 60D/2 C/C (M)
 23. ALL LOOSE COTTON SOIL IF ENCOUNTERED IN FN PITS, SHALL BE FULLY REMOVED.
 24. ALL LOOSE POCKETS OF SOIL BELOW FOUNDATION SHALL BE FILLED WITH P.S.S.4-B

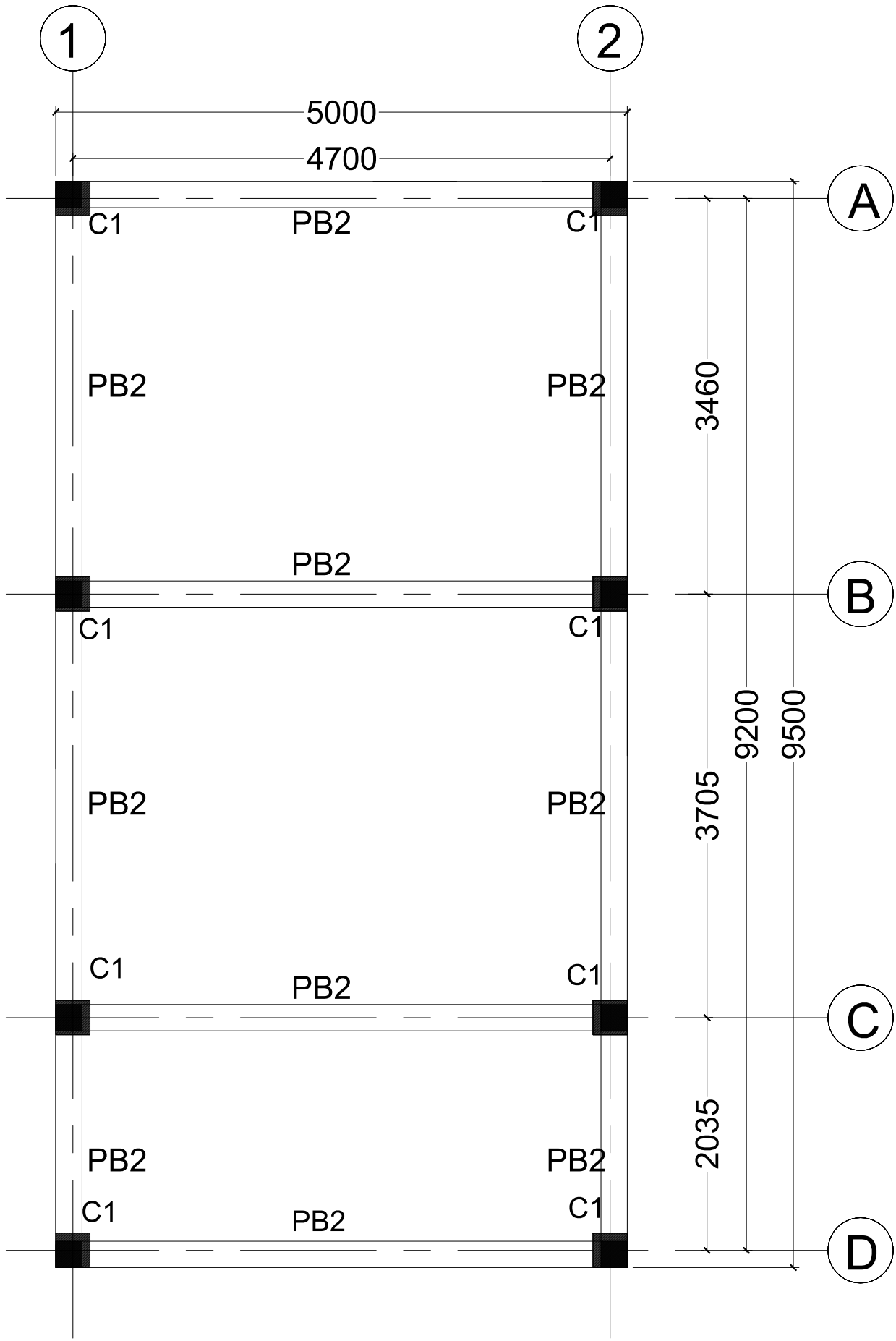
ADMIN FOUNDATION LAYOUT


STRUCTO CREATIONS
 STRUCTURE CONSULTANTS
 R-210, Basement Laxmi Nagar,
 Delhi-110092
 Lic. No. AM1778350

STRUCTO CREATIONS (STRUCTURE CONSULTANT) JAGAT RAM PARK, LAXMI NAGAR, NEW DELHI -110092 EMAIL : msansari6313@gmail.com	NAME OF PROJECT : JORHAT AGRO PRIVATE LIMITED C/O SRI PALASH HAZARIKA MS HAZARIKA, RICE MILL KHERAMA KACHARI GAON BORHOLLA, JORHAT , JORHAT ,ASSAM , INDIA, 785631	CLIENT / SPV : JORHAT AGRO PRIVATE LIMITED	DRAWING TITLE - OFFICE BUILDING FOUNDATION PLAN
	DRAWING NO. 04-03	PUPOSE - TENDER DRAWING Drawn By :- Saeed Ansari DATE- 09-09-2021	

GENERAL NOTES -

1. READ THIS DRAWING IN CONJUNCTION WITH RELEVANT ARCHITECTURAL DRAWINGS. ANY DISCREPANCY IF FOUND SHALL BE BROUGHT TO THE NOTICE OF CONSULTANT.
2. ALL DIMENSIONS ARE IN MM & LEVELS IN MILLIMETERS.
3. DO NOT SCALE ANY DIMENSION.
4. CONFIRM LOCATION OF WALLS WITH RELEVANT ARCH. DRGS.
5. CONCRETE GRADE IS M25
6. THE REINFORCEMENT SHALL BE SLDWISTED DEFORMED BARS (SD10) OR TMT BARS HAVING YIELD STRENGTH NOT LESS THAN 500 N/MM² AND CONFORMING TO IS 1786 - 2006.
7. THE CLEAR COVER TO THE REINFORCEMENT SHALL BE AS FOLLOWS-
(a) FOUNDATION : 50 MM
(b) COLUMNS : 40 MM
(c) BEAMS (top & bottom) 30 MM side Cover 25mm
(d) SLABS : 25 MM
(e) CHAJJAS/CANOPY : 30 MM
(f) R.C.C. WALL : 30 MM(EARTH FACE) & 25MM(WENER FACE)
8. NOT MORE THAN SIZE OF THE BARS SHALL BE LAPPED AT ANY SECTION. LAPS CLOSE TO THE MID SPAN IN BOTTOM BARS & CLOSE TO SUPPORTS IN TOP BARS SHALL BE INDICATED BY DIMENSION LINE (L IS SPACING OF BARS)
9.  INDICATES TOP BARS
INDICATES BOTTOM BARS
Opening in structural element
Brick work
10. ALL R.C.C. TO BE MACHINE MIXED, VIBRATED AND CURED THOROUGHLY AS PER IS 456-LATEST.
11. ALL FOOTING ARE CENTRALLY PLACED WITH RESPECTED TO THE CENTER LINE OF COLUMN.
12. REINFORCEMENT SHALL BE PROVIDED IN TWO LAYERS WHEREVER FOUND NECESSARY WITH SPACER BAR TO BE PROVIDED BETWEEN TWO LAYERS OF REINFORCEMENTS AS PER IS 456-SPACER BARS.
13. ALL DIMENSIONS MUST BE CHECKED WITH ARCHITECT'S DRGS & IN CASE OF ANY DISCREPANCY ARCHITECT'S DRGS SHALL PREVAIL.
14. ALL CONSTRUCTION JOINTS SHALL BE APPROVED BY CONSULTANT ON THE BASIS OF SCHEDULE PREPARED BY CONTRACTOR.
15. TOP AND BOTTOM EXTRA BARS IN BEAMS TO EXTEND BEYOND THE FACE OF SUPPORT AS SHOWN IN Dwg UNLESS OTHERWISE SHOWN.
16. THE FIRST STRIPS IN BEAMS SHALL BE AT A DISTANCE OF 50MM FROM THE JOINT FACE THE SPECIAL CONFINING REINFORCEMENT SHALL BE PROVIDED THROUGH THE JOINT AT THE GIVEN SPACING IN COLUMNS.
17. ALL ANGLES ARE RIGHT ANGLES UNLESS OTHERWISE SPECIFIED.
18. PROVIDE DSD STEEL OVER EXTRA TOP BARS @ 8000 C/C (6")
19. BLACK COTTON SOIL IF ENCOUNTERED IN FN PITS, SHALL BE FULLY REMOVED.
20. ALL LOOSE PORTERS OF SOIL BELOW FOUNDATION SHALL BE FILLED WITH F.F.S:1:4:8



ADMIN PLINTH BEAM LAYOUT

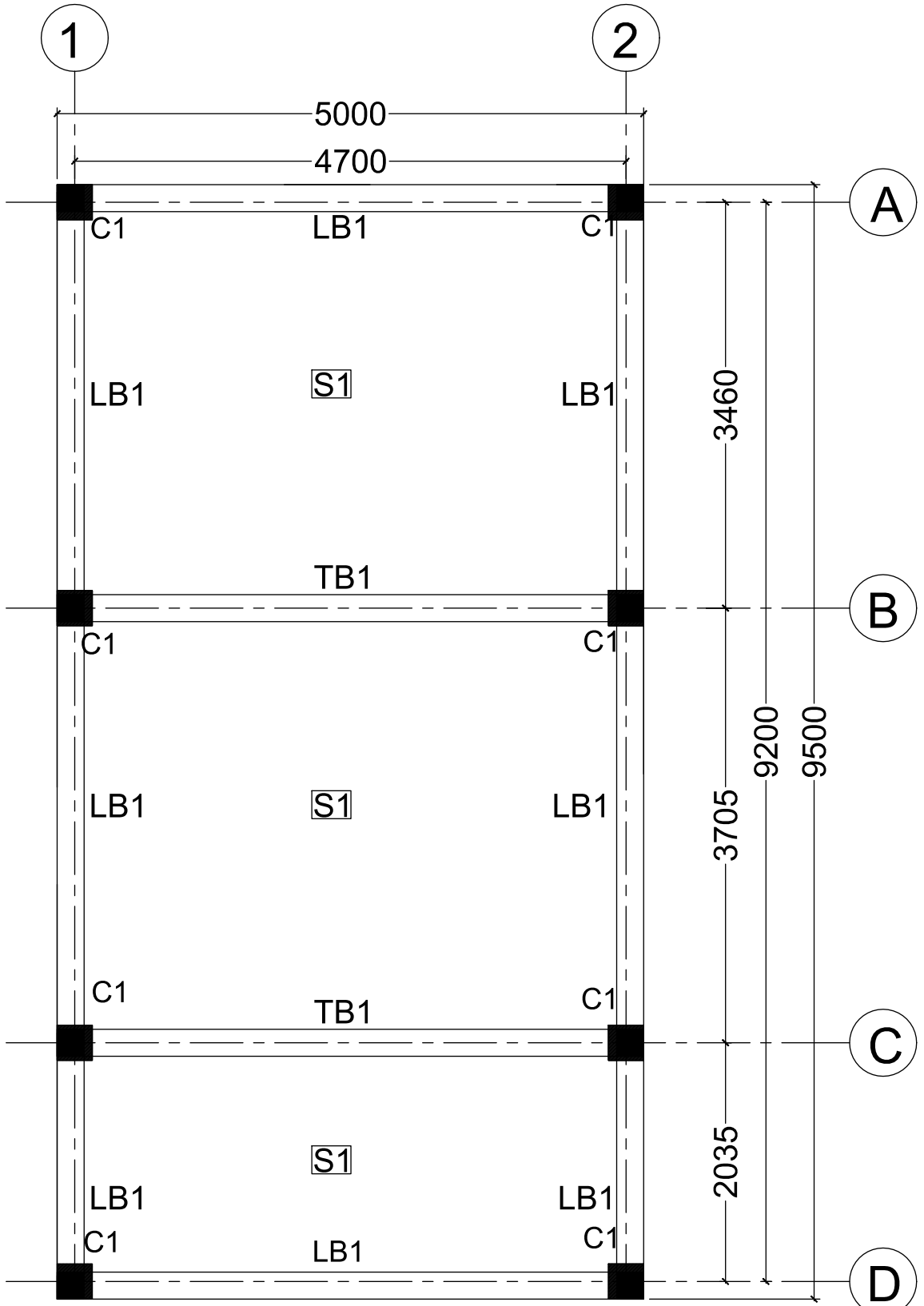


NAME OF PROJECT : JORHAT AGRO PRIVATE LIMITED C/O SRI PALASH HAZARIKA MS HAZARIKA, RICE MILL KHERAMA KACHARI GAON BORHOLLA, JORHAT , JORHAT ,ASSAM , INDIA , 785631	CLIENT / SPV : JORHAT AGRO PRIVATE LIMITED	DRAWING TITLE - OFFICE BUILDING PLINTH BEAM PLAN	
		PUPOSE - TENDER DRAWING	
		DATE- 09-09-2021	DRAWING NO. 04-04

GENERAL NOTES -

NOTES & REFERENCES

1. READ THIS DRAWING IN CONJUNCTION WITH RELEVANT ARCHITECTURAL DRAWINGS. ANY DISCREPANCY IF FOUND SHALL BE BROUGHT TO THE NOTICE OF CONSULTANT.
2. ALL DIMENSIONS ARE IN MM & LEVELS IN MILLIMETERS.
3. DO NOT SCALE ANY DIMENSION.
4. CONFIRM LOCATION OF WALLS WITH RELEVANT JACKS ONLY.
5. CONCRETE GRADE IS M25.
6. THE REINFORCEMENT SHALL BE SOLITWISTED DEFORMED BARS (S1) OF T&T, BARS HAVING YIELD STRENGTH NOT LESS THAN 500 MPa AND CONFORMING TO IS 1786 - 2006.
7. THE CLEAR COVER TO THE REINFORCEMENT SHALL BE AS FOLLOWS-
 - (a) FOUNDATION : 50 MM
 - (b) COLUMNS : 40 MM
 - (c) BEAMS (top & bottom) 30 MM side Cover 25mm
 - (d) SLABS : 25 MM
 - (e) CHAULAS/CANOPY : 30 MM
 - (f) R.C.C. WALL : 30 MM(EARTH FACE) & 25MM(INNER FACE)
8. NOT MORE THAN ONE OF THE BARS SHALL BE LAPED AT ANY SECTION. LAPS CLOSE TO THE MID SPAN IN BOTTOM BARS & CLOSE TO SUPPORTS IN TOP BARS SHALL BE AVOIDED. LAPS SHALL BE AT LEAST 48D (d IS DIAMETER OF BAR).
9. INDICATES TOP BARS
INDICATES BOTTOM BARS
 - Opening in structural element
 - R.C.C. work
 - Brick work
10. ALL R.C.C. TO BE MACHINE MIXED, VIBRATED AND CURED THOROUGHLY AS PER IS 456-1987.
11. ALL FOOTING ARE CENTRALLY PLACED WITH RESPECTED TO THE CENTER LINE OF COLUMN.
12. REINFORCEMENT SHALL BE PROVIDED IN TWO LAYERS WHEREVER FOUND NECESSARY WITH SPACER BARS TO BE PROVIDED BETWEEN TWO LAYERS OF REINFORCEMENTS AS PER IS-456-1987 (SPACER BARS).
13. ALL DIMENSIONS MUST BE CHECKED WITH ARCHITECT'S DIMS & IN CASE OF ANY DISCREPANCY ARCHITECTS DIMS SHALL PREVAIL.
14. ALL CONSTRUCTION JOINTS SHALL BE APPROVED BY CONSULTANT ON THE BASIS OF ENGINE APPROVED BY CONTRACTOR.
15. TOP AND BOTTOM EXTRA BARS IN BEAMS TO EXTEND BEYOND THE FACE OF SUPPORT AS SHOWN IN THIS DRAWING OTHERWISE SHOWN.
16. THE FIRST STRUPTS IN BEAMS SHALL BE AT A DISTANCE OF 50MM FROM THE BARS FACE. IN SPECIAL CORNERS REINFORCEMENT SHALL BE PROVIDED THROUGH THE JOINT AT THE OTHER SPACING IN COLUMN.
17. AS ANGLES ARE RIGHT ANGLES UNLESS OTHERWISE SPECIFIED.
18. PROVIDE 60% TOP BARS OVER 40% BOTTOM BARS.
19. BLACK COTTON SOIL IF ENCOUNTERED IN FIN FITS, SHALL BE FULLY REMOVED.
20. ALL LOOSE POCKETS OF SOIL BELOW FOUNDATION SHALL BE FILLED WITH F.F.S.S-49

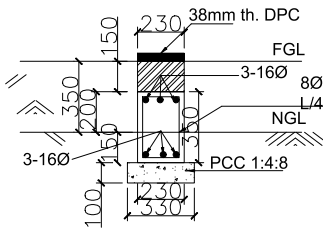


S1- 10Ø-150C/C
Bothways 150TH.

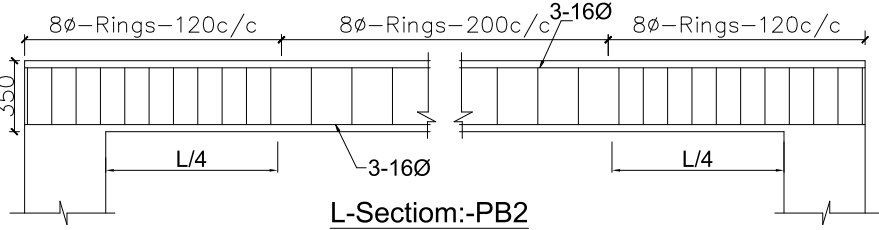
ADMIN SLAB LAYOUT



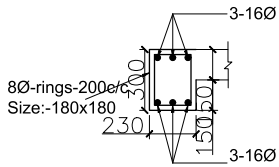
STRUCTO CREATIONS (STRUCTURE CONSULTANT) JAGAT RAM PARK, LAXMI NAGAR, NEW DELHI -110092 EMAIL : msansari6313@gmail.com	NAME OF PROJECT : JORHAT AGRO PRIVATE LIMITED C/O SRI PALASH HAZARIKA MS HAZARIKA, RICE MILL KHERAMA KACHARI GAON BORHOLLA, JORHAT , JORHAT ,ASSAM , INDIA, 785631	CLIENT / SPV : JORHAT AGRO PRIVATE LIMITED	DRAWING TITLE - OFFICE BUILDING SLAB PLAN PUPOSE - TENDER DRAWING
	DRAWING NO. 04-05	Drawn By :- Saeed Ansari DATE- 09-09-2021	



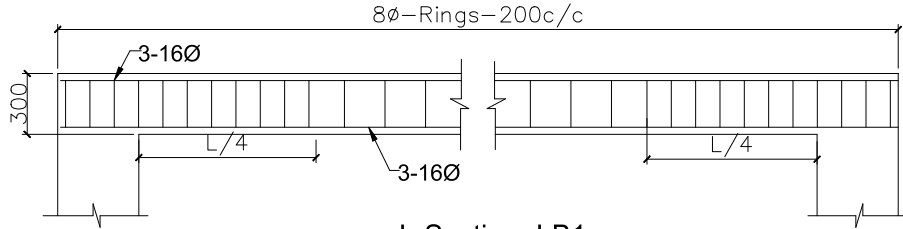
Plinth Beam: -PB2



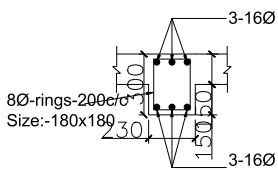
L-Section: -PB2



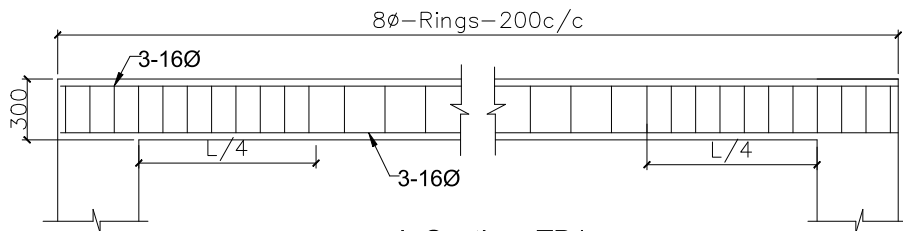
**Beam: -LB1
at 3m Lvl.**



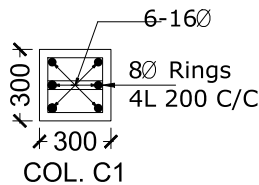
L-Section: -LB1



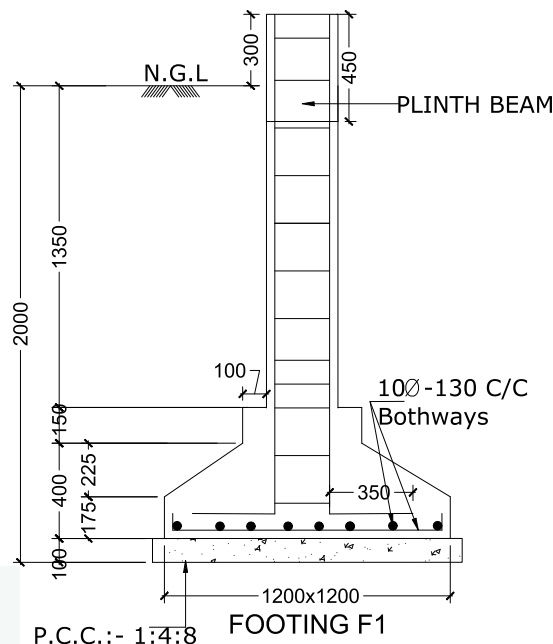
**Beam: -TB1
at 3m Lvl.**



L-Section: -TB1



COL. C1



P.C.C.:- 1:4:8

FOOTING F1

GENERAL NOTES -

NOTES & REFERENCES

1. READ THIS DRAWING IN CONJUNCTION WITH RELEVANT ARCHITECTURAL DRAWINGS. ANY DISCREPANCY IF FOUND SHALL BE BROUGHT TO THE NOTICE OF CONSULTANT
2. ALL DIMENSIONS ARE IN MM & LEVELS IN MILLIMETERS.
3. DO NOT SCALE ANY DIMENSION.
4. CONFIRM LOCATION OF WALLS WITH RELEVANT ARCH. DRGS.
5. CONCRETE GRADE IS M25
6. THE REINFORCEMENT SHALL BE SLDTWISTED DEFORMED BARS (S.T.D) OR T.M.T. BARS HAVING YIELD STRENGTH NOT LESS THAN 500 N/mm² AND CONFORMING TO I.S. 1786 - 2006.
7. THE CLEAR COVER TO THE REINFORCEMENT SHALL BE AS FOLLOWS:-
 - (a) FOUNDATION : 50 MM
 - (b) COLUMNS : 40 MM
 - (S) BEAMS (top & bottom) 30 MM side Cover 25mm
 - (d) SLABS : 25 MM
 - (e) CHAJJAS/CANOPY : 30 MM
 - (f) R.C.C. WALL 30 MM(EARTH FACE) & 25MM(INNER FACE)
8. NOT MORE THAN 50% OF THE BARS SHALL BE LAPPED AT ANY SECTION. LAPS CLOSE TO THE MID SPAN IN BOTTOM BARS & CLOSE TO SUPPORTS IN TOP BARS SHALL BE AVOIDED. LAP LENGTH IS 50d (d IS DIAMETER OR BAR)
9. - - - - - INDICATES TOP BARS
 - - - - - INDICATES BOTTOM BARS
 - - - - - Opening in structural element
 - - - - - p.c.c work
 - - - - - Brick work
10. ALL R.C.C. TO BE MACHINE MIXED, VIBRATED AND SURED THOROUGHLY AS PER I.S 456-LATEST.
11. ALL FOOTING ARE CENTRALLY PLACED WITH RESPECTED TO THE CENTER LINE OF COLUMN
12. REINFORCEMENT SHALL BE PROVIDED IN TWO LAYERS WHEREVER FOUND NECESSARY WITH SPACER BAR TO BE PROVIDED BETWEEN TWO LAYERS OF REINFORCEMENTS AS PER IS:456 SPACER BARS
13. ALL DIMENSIONS MUST BE CHECKED WITH ARCHITECT'S DRGS & IN CASE OF ANY DISCREPANCY ARCHITECTS DRGS SHALL PREVAIL.
14. ALL CONSTRUCTION JOINTS SHALL BE APPROVED BY CONSULTANT ON THE BASIS OF SCHEME PREPARED BY CONTRACTOR.
15. TOP AND BOTTOM EXTRA BARS IN BEAMS TO EXTEND BEYOND THE FACE OF SUPPORT AS SHOWN IN DWG UNLESS OTHERWISE SHOWN.
16. THE FIRST STIRRUPS IN BEAMS SHALL BE AT A DISTANCE OF 50MM FROM THE JOINT FACE. THE SPECIAL CONFINING REINFORCEMENT SHALL BE PROVIDED THROUGH THE JOINT AT THE GIVEN SPACING IN COLUMNS.
17. ALL ANGLES ARE RIGHT ANGLES UNLESS OTHERWISE SPECIFIED.
18. PROVIDE DIST STEEL OVER EXTRA TOP BARS IS 8Ø150 C/C (6")
19. BLACK COTTON SOIL IF ENCOUNTERED IN FN PITS, SHALL BE FULLY REMOVED.
20. ALL LOOSE POCKETS OF SOIL BELOW FOUNDATION SHALL BE FILLED WITH P.S.S.I:-4:8

STRUCTO CREATIONS
STRUCTURE CONSULTANTS
R-210, Basement Laxmi Nagar,
Delhi-110092
Lic. No. AM1778350

**STRUCTO CREATIONS
(STRUCTURE CONSULTANT)**

JAGAT RAM PARK,
LAXMI NAGAR, NEW DELHI -110092
EMAIL : msansari6313@gmail.com

NAME OF PROJECT :

JORHAT AGRO PRIVATE
LIMITED C/O SRI PALASH
HAZARIKA MS HAZARIKA,
RICE MILL KHERAMA KACHARI
GAON BORHOLLA, JORHAT ,
JORHAT ,ASSAM , INDIA, 785631

CLIENT / SPV :

JORHAT AGRO
PRIVATE LIMITED

DRAWING NO.

04-06

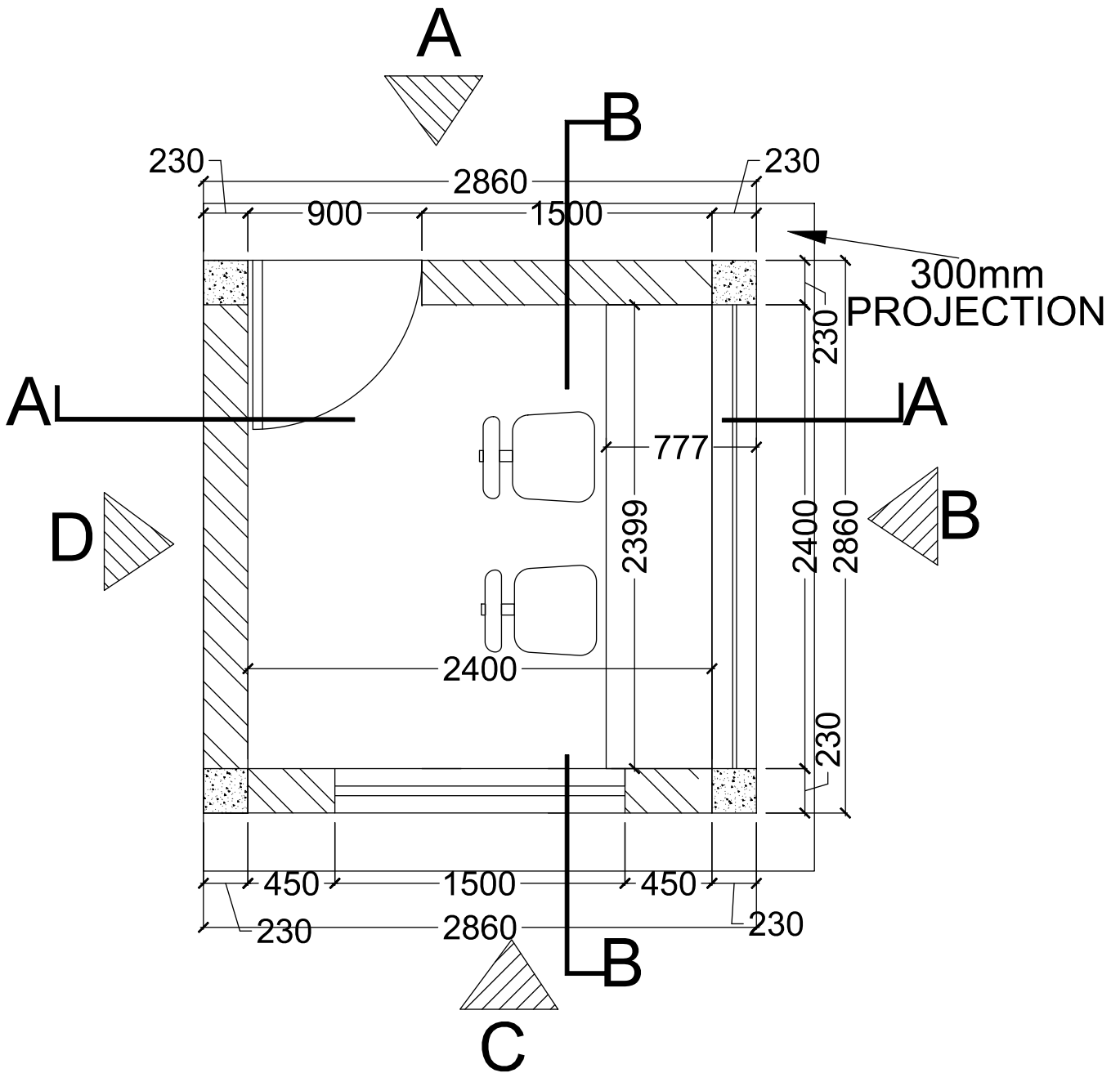
DRAWING TITLE -

OFFICE BUILDING
STRUCTURE DETAIL

PUPOSE - TENDER DRAWING

Drawn By :- Saeed Ansari

DATE- 09-09-2021




STRUCTO CREATIONS
STRUCTURE CONSULTANTS
 R-210, Basement Laxmi Nagar,
 Delhi-110092
 Lic. No. AM1778350

STRUCTO CREATIONS
(STRUCTURE CONSULTANT)

JAGAT RAM PARK,
 LAXMI NAGAR, NEW DELHI -110092
 EMAIL : msansari6313@gmail.com

NAME OF PROJECT :

JORHAT AGRO PRIVATE
 LIMITED C/O SRI PALASH
 HAZARIKA MS HAZARIKA,
 RICE MILL KHERAMA KACHARI
 GAON BORHOLLA, JORHAT ,
 JORHAT ,ASSAM , INDIA, 785631

CLIENT / SPV :

JORHAT AGRO
 PRIVATE LIMITED

DRAWING NO.

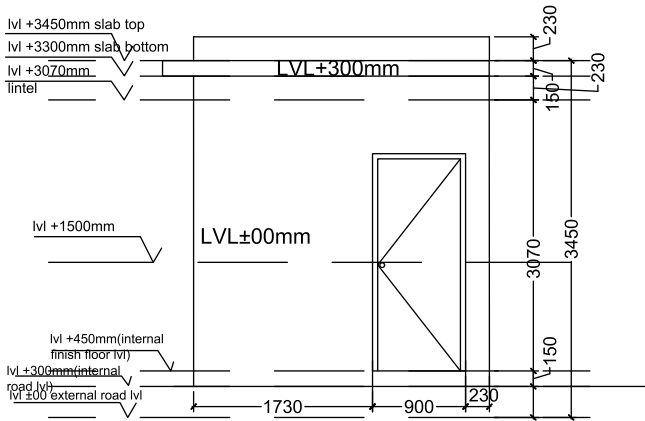
04-07

DRAWING TITLE -
WEIGHBRIDGE ROOM
PLAN

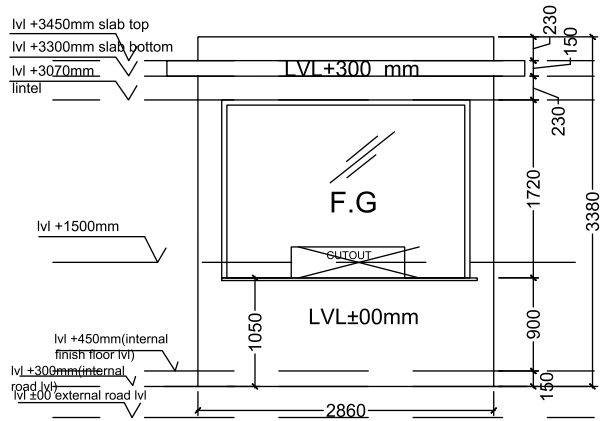
PUPOSE - TENDER DRAWING

Drawn By :- Saeed Ansari

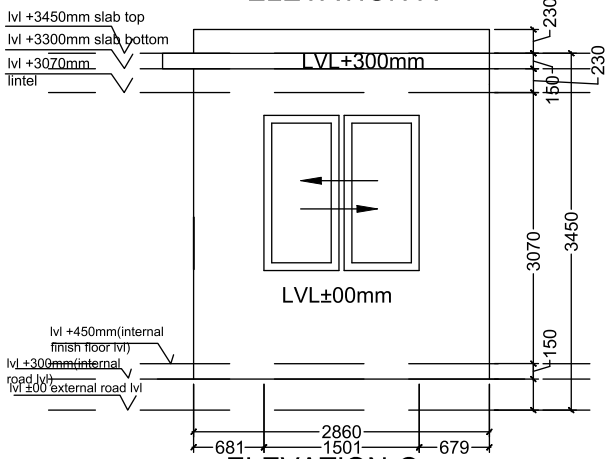
DATE- 09-09-2021



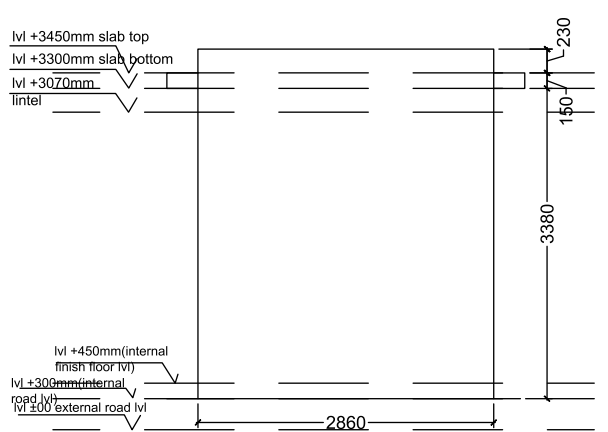
ELEVATION-A



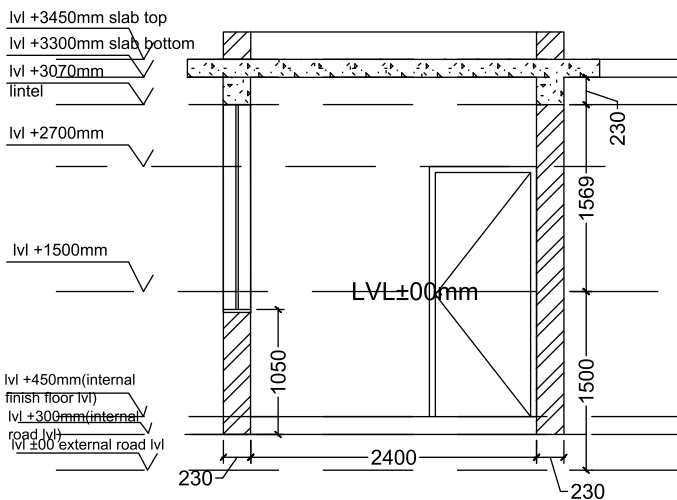
ELEVATION-B



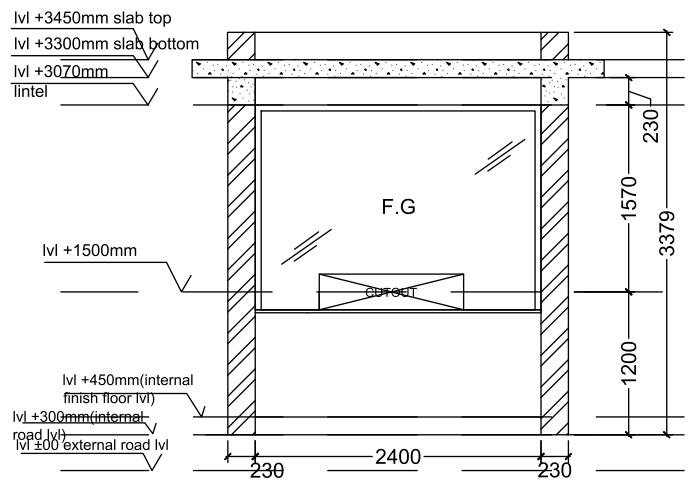
ELEVATION-C



ELEVATION-D



SECTION -AA'



SECTION -BB'


STRUCTO CREATIONS
 STRUCTURE CONSULTANTS
 R-210, Basement Laxmi Nagar,
 Delhi-110092
 Lic. No. AM1778350

STRUCTO CREATIONS
 (STRUCTURE CONSULTANT)

JAGAT RAM PARK,
 LAXMI NAGAR, NEW DELHI -110092
 EMAIL : msansari6313@gmail.com

NAME OF PROJECT :

JORHAT AGRO PRIVATE
 LIMITED C/O SRI PALASH
 HAZARIKA MS HAZARIKA,
 RICE MILL KHERAMA KACHARI
 GAON BORHOLLA, JORHAT ,
 JORHAT ,ASSAM , INDIA, 785631

CLIENT / SPV :

JORHAT AGRO
 PRIVATE LIMITED

DRAWING NO.

04-08

DRAWING TITLE -
 WEIGHBRIDGE ROOM
 ELEVATION SECTION




PUPOSE - TENDER DRAWING

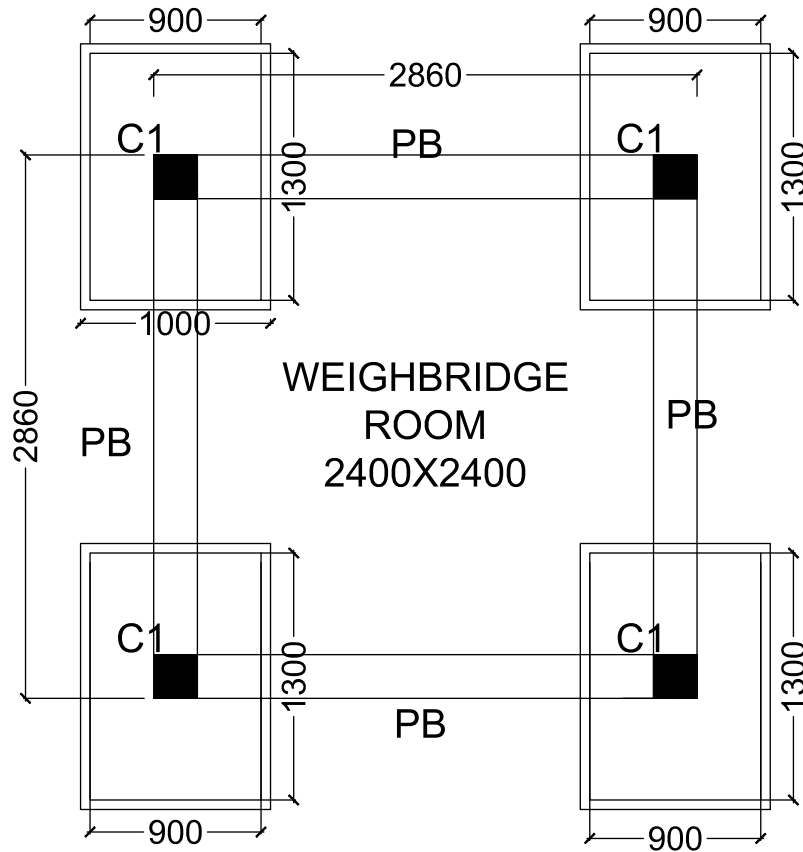
Drawn By :- Saeed Ansari

DATE- 09-09-2021

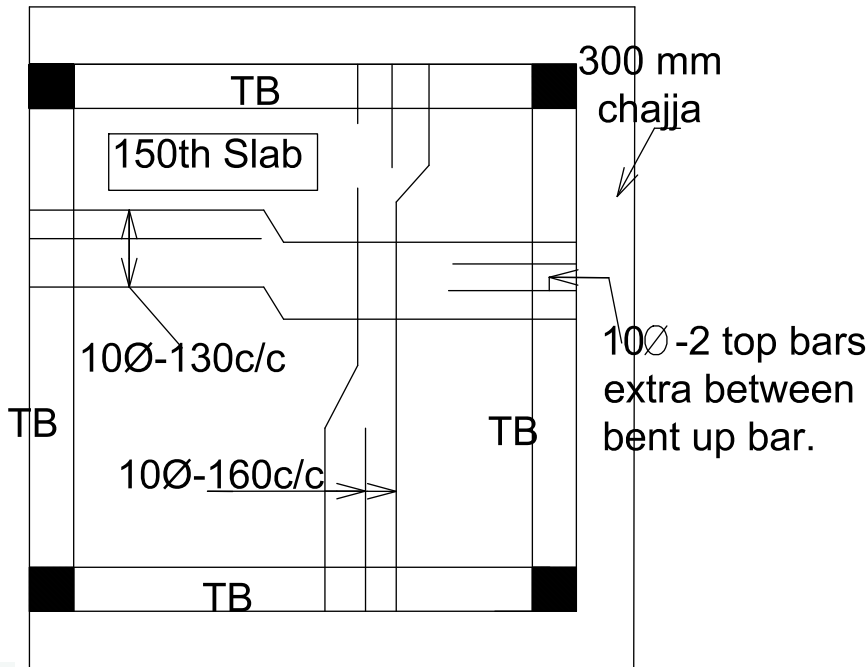
GENERAL NOTES -

NOTES & REFERENCES

1. READ THIS DRAWING IN CONJUNCTION WITH RELEVANT ARCHITECTURAL DRAWINGS. ANY DISCREPANCY IF FOUND SHALL BE BROUGHT TO THE NOTICE OF CONSULTANT
2. ALL DIMENSIONS ARE IN MM & LEVELS IN MILLIMETERS.
3. DO NOT SCALE ANY DIMENSION.
4. CONFIRM LOCATION OF WALLS WITH RELEVANT ARCH. DRGS
5. CONCRETE GRADE IS M25
6. THE REINFORCEMENT SHALL BE SOLDTWISTED DEFORMED BARS (S.T.D) OR T.A.T. BARS HAVING YIELD STRENGTH NOT LESS THAN 500 N/mm² AND CONFORMING TO I.S. 1786 - 2006.
7. THE CLEAR COVER TO THE REINFORCEMENT SHALL BE AS FOLLOWS:-
 - (a) FOUNDATION : 50 MM
 - (b) COLUMNS : 40 MM
 - (S) BEAMS (top & bottom) 30 MM side Cover 25mm
 - (d) SLABS : 25 MM
 - (e) CHAJJAS/CANOPY : 30 MM
 - (f) R.C.C. WALL 30 MM(EARTH FACE) & 25MM(INNER FACE)
8. NOT MORE THAN 50% OF THE BARS SHALL BE LAPPED AT ANY SECTION. LAPS CLOSE TO THE MID SPAN IN BOTTOM BARS & CLOSE TO SUPPORTS IN TOP BARS SHALL BE AVOIDED. LAP LENGTH IS 50d (d IS DIAMETER OF BAR)
9.
 - INDICATES TOP BARS
 - INDICATES BOTTOM BARS
 -  Opening in structural element
 -  p.c.c. work
 -  Brick work
10. ALL R.C.C. TO BE MACHINE MIXED, VIBRATED AND SURED THOROUGHLY AS PER IS 456-LATEST.
11. ALL FOOTING ARE CENTRALLY PLACED WITH RESPECTED TO THE CENTER LINE OF COLUMN
12. REINFORCEMENT SHALL BE PROVIDED IN TWO LAYERS WHEREVER FOUND NECESSARY WITH SPACER BAR TO BE PROVIDED BETWEEN TWO LAYERS OF REINFORCEMENTS AS PER IS 456-SPACER BAR
13. ALL DIMENSIONS MUST BE CHECKED WITH ARCHITECT'S DRGS & IN CASE OF ANY DISCREPANCY ARCHITECT'S DRGS SHALL PREVAIL.
14. ALL CONSTRUCTION JOINTS SHALL BE APPROVED BY CONSULTANT ON THE BASIS OF SCHEME PREPARED BY CONTRACTOR.
15. TOP AND BOTTOM EXTRA BARS IN BEAMS TO EXTEND BEYOND THE FACE OF SUPPORT AS SHOWN IN DWG UNLESS OTHERWISE SHOWN.
16. THE FIRST STIRRUPS IN BEAMS SHALL BE AT A DISTANCE OF 50MM FROM THE JOINT FACE THE SPECIAL CONFINING REINFORCEMENT SHALL BE PROVIDED THROUGH THE JOINT AT THE GIVEN SPACING IN COLUMNS.
17. ALL ANGLES ARE RIGHT ANGLES UNLESS OTHERWISE SPECIFIED.
18. PROVIDE DIST STEEL OVER EXTRA TOP BARS IS: 8 @150 C/C (6") 8 @150 C/C (6")
19. BLACK COTTON SOIL IF ENCOUNTERED IN FN PITS, SHALL BE FULLY REMOVED.
20. ALL LOOSE POCKETS OF SOIL BELOW FOUNDATION SHALL BE FILLED WITH P.S.S:1:4:8



**WEIGHBRIDGE ROOM
STRUCTURE FOUNDATION**



**WEIGHBRIDGE ROOM
AT SLAB LVL**


STRUCTO CREATIONS
 STRUCTURE CONSULTANTS
 R-210, Basement Laxmi Nagar,
 Delhi-110092
 Lic. No. AMI778350

STRUCTO CREATIONS
 (STRUCTURE CONSULTANT)

JAGAT RAM PARK,
 LAXMI NAGAR, NEW DELHI -110092
 EMAIL : msansari6313@gmail.com

NAME OF PROJECT :

JORHAT AGRO PRIVATE
 LIMITED C/O SRI PALASH
 HAZARIKA MS HAZARIKA,
 RICE MILL KHERAMA KACHARI
 GAON BORHOLLA, JORHAT ,
 JORHAT ,ASSAM , INDIA, 785631

CLIENT / SPV :

JORHAT AGRO
 PRIVATE LIMITED

DRAWING NO.

04-09

DRAWING TITLE -
 WEIGHBRIDGE ROOM
 FOUNDATION & SLAB BEAM PLAN

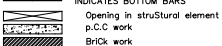
PUPOSE - TENDER DRAWING

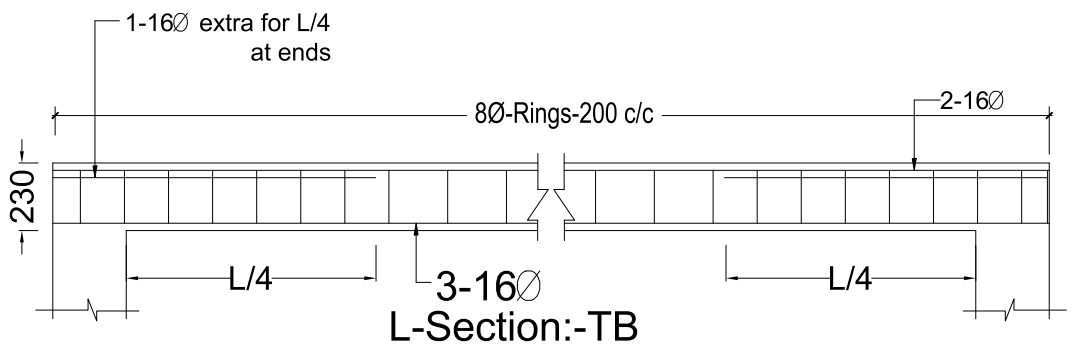
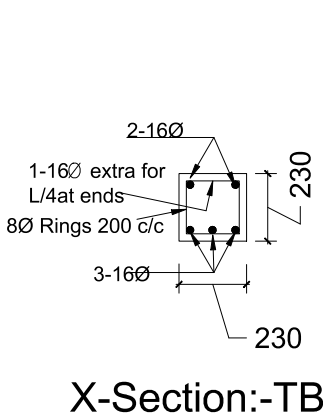
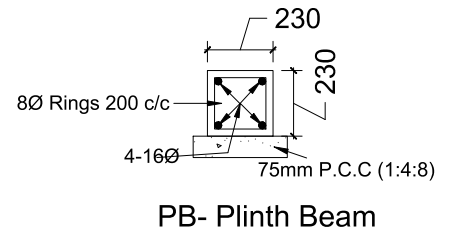
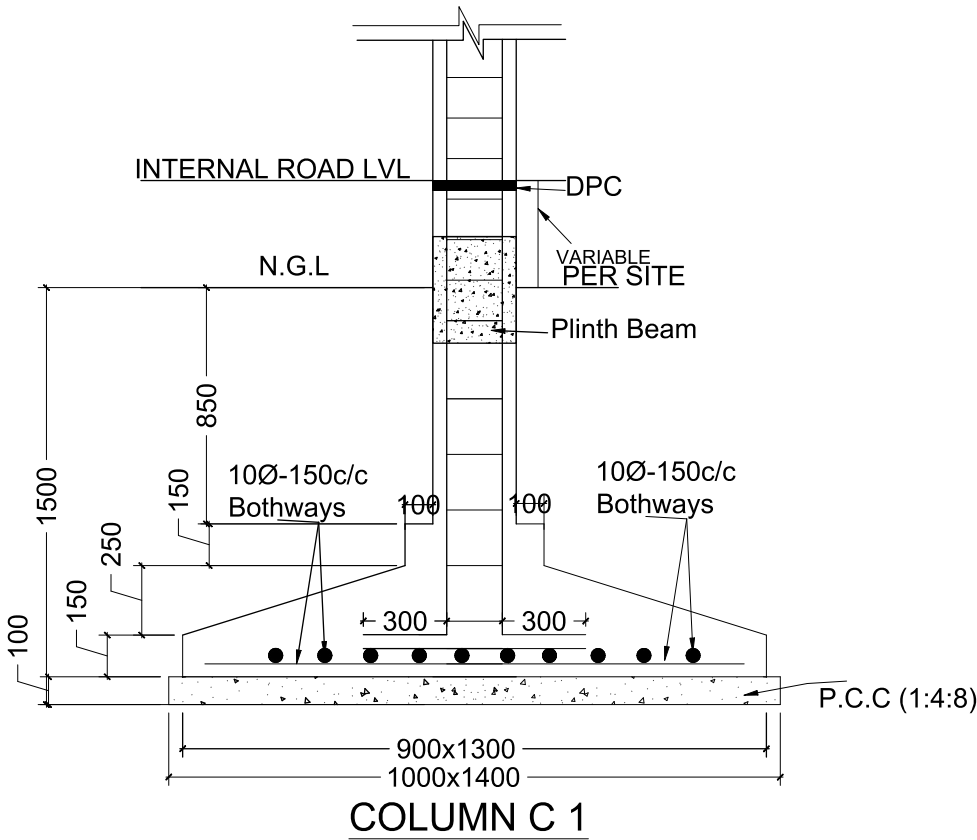
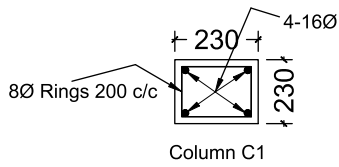
Drawn By :- Saeed Ansari

DATE- 09-09-2021

GENERAL NOTES -

NOTES & REFERENCES

1. READ THIS DRAWING IN CONJUNCTION WITH RELEVANT ARCHITECTURAL DRAWINGS. ANY DISCREPANCY IF FOUND SHALL BE BROUGHT TO THE NOTICE OF CONSULTANT
2. ALL DIMENSIONS ARE IN MM & LEVELS IN MILLIMETERS.
3. DO NOT SCALE ANY DIMENSION.
4. CONFIRM LOCATION OF WALLS WITH RELEVANT ARCH. DRG.S
5. CONCRETE GRADE IS M25
6. THE REINFORCEMENT SHALL BE SOLDTWISTED DEFORMED BARS (S.12) OR T.M.T. BARS HAVING YIELD STRENGTH NOT LESS THAN 500 N/mm² AND CONFORMING TO I.S. 1786 - 2006.
7. THE CLEAR COVER TO THE REINFORCEMENT SHALL BE AS FOLLOWS:-
 - (a) FOUNDATION : 50 MM
 - (b) COLUMNS : 40 MM
 - (S) BEAMS (top & bottom) 30 MM side Cover 25mm
 - (d) SLABS : 25 MM
 - (e) CHAJJAS/CANOPY : 30 MM
 - (f) R.C.C. WALL 30 MM(EARTH FACE) & 25MM(INNER FACE)
8. NOT MORE THAN 50% OF THE BARS SHALL BE LAPPED AT ANY SECTION. LAPS CLOSE TO THE MID SPAN IN BOTTOM BARS & CLOSE TO SUPPORTS IN TOP BARS SHALL BE AVOIDED. LAP LENGTH IS 50d (d IS DIAMETRE OR BAR)
9. - - - - - INDICATES TOP BARS
 - - - - - INDICATES BOTTOM BARS

10. ALL R.C.C. TO BE MACHINE MIXED, VIBRATED AND SURED THOROUGHLY AS PER I.S. 456-LATEST.
11. ALL FOOTING ARE CENTRALLY PLACED WITH RESPECTED TO THE CENTER LINE OF COLUMN
12. REINFORCEMENT SHALL BE PROVIDED IN TWO LAYERS WHEREVER FOUND NECESSARY WITH SPACER BAR TO BE PROVIDED BETWEEN TWO LAYERS OF REINFORCEMENTS AS PER IS:456-SPACER BARS
13. ALL DIMENSIONS MUST BE CHECKED WITH ARCHITECT'S DRG.S & IN CASE OF ANY DISCREPANCY ARCHITECT'S DRG.S SHALL PREVAIL.
14. ALL CONSTRUCTION JOINTS SHALL BE APPROVED BY CONSULTANT ON THE BASIS OF SCHEME PREPARED BY CONTRACTOR.
15. TOP AND BOTTOM EXTRA BARS IN BEAMS TO EXTEND BEYOND THE FACE OF SUPPORT AS SHOWN IN DWG UNLESS OTHERWISE SHOWN.
16. THE FIRST STIRRUPS IN BEAMS SHALL BE AT A DISTANCE OF 50MM FROM THE JOINT FACE THE SPECIAL CONFINING REINFORCEMENT SHALL BE PROVIDED THROUGH THE JOINT AT THE GIVEN SPACING IN COLUMNS.
17. ALL ANGLES ARE RIGHT ANGLES UNLESS OTHERWISE SPECIFIED.
18. PROVIDE DIST STEEL OVER EXTRA TOP BARS IS: 8@150 C/C (6")
 8@150 C/C (6")
19. BLACK COTTON SOIL IF ENCOUNTERED IN FN PITS, SHALL BE FULLY REMOVED.
20. ALL LOOSE POCKETS OF SOIL BELOW FOUNDATION SHALL BE FILLED WITH P.S.S:1:4:8



STRUCTO CREATIONS
(STRUCTURE CONSULTANT)

JAGAT RAM PARK,
LAXMI NAGAR, NEW DELHI -110092
EMAIL : msansari6313@gmail.com

NAME OF PROJECT :

JORHAT AGRO PRIVATE LIMITED C/O SRI PALASH HAZARIKA MS HAZARIKA, RICE MILL KHERAMA KACHARI GAON BORHOLLA, JORHAT , JORHAT ,ASSAM , INDIA, 785631

CLIENT / SPV :

JORHAT AGRO PRIVATE LIMITED

DRAWING NO.

04-10

DRAWING TITLE -
WEIGHBRIDGE ROOM
STRUCTURE DETAIL

PUPOSE - TENDER DRAWING

Drawn By :- Saeed Ansari

DATE- 09-09-2021



STRUCTO CREATIONS
(STRUCTURE CONSULTANT)
JAGAT RAM PARK,
LAXMI NAGAR, NEW DELHI - 110092
EMAIL : msansari6313@gmail.com

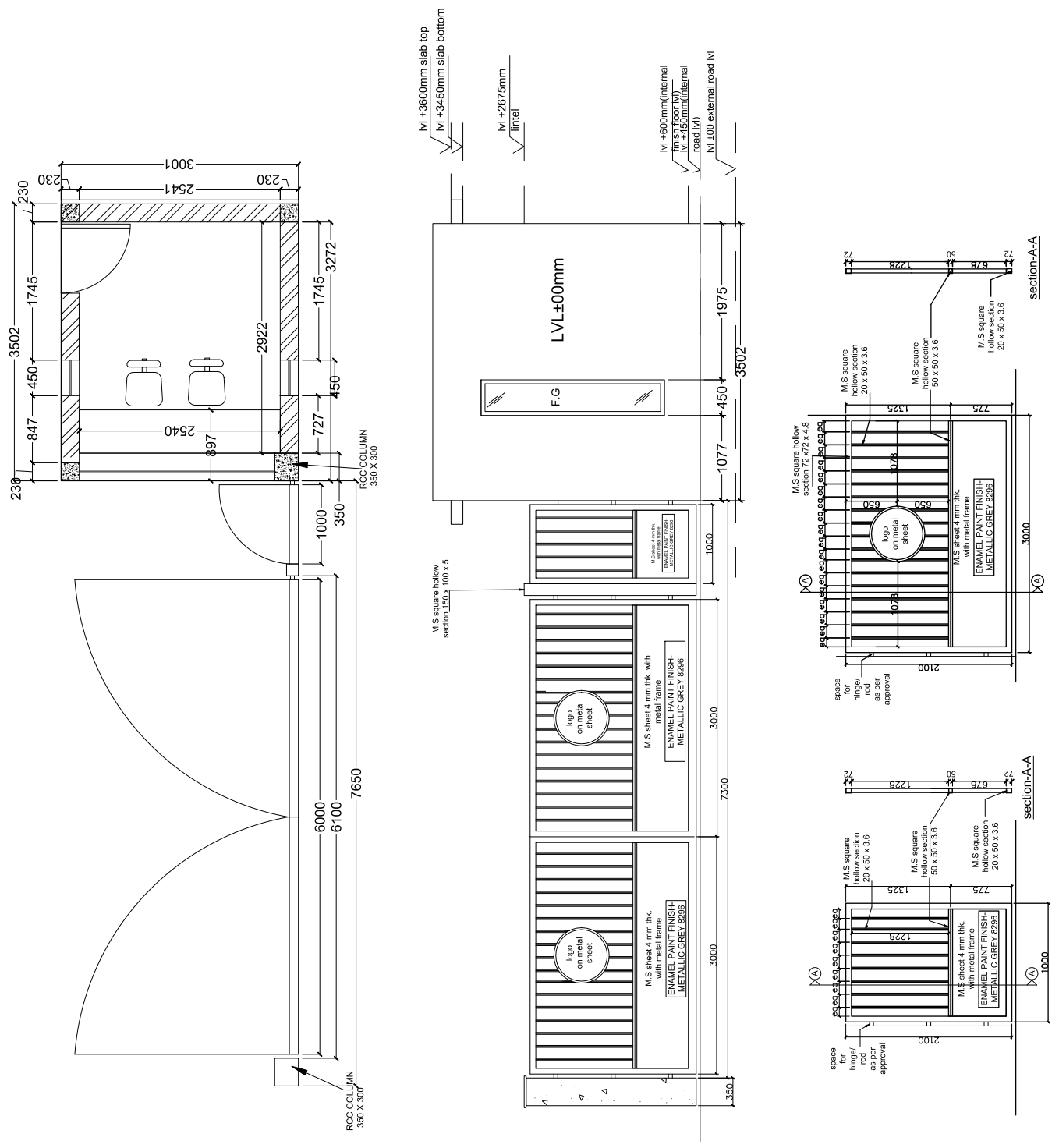
CLIENT/SPV :
JORHAT AGRO PRIVATE LIMITED

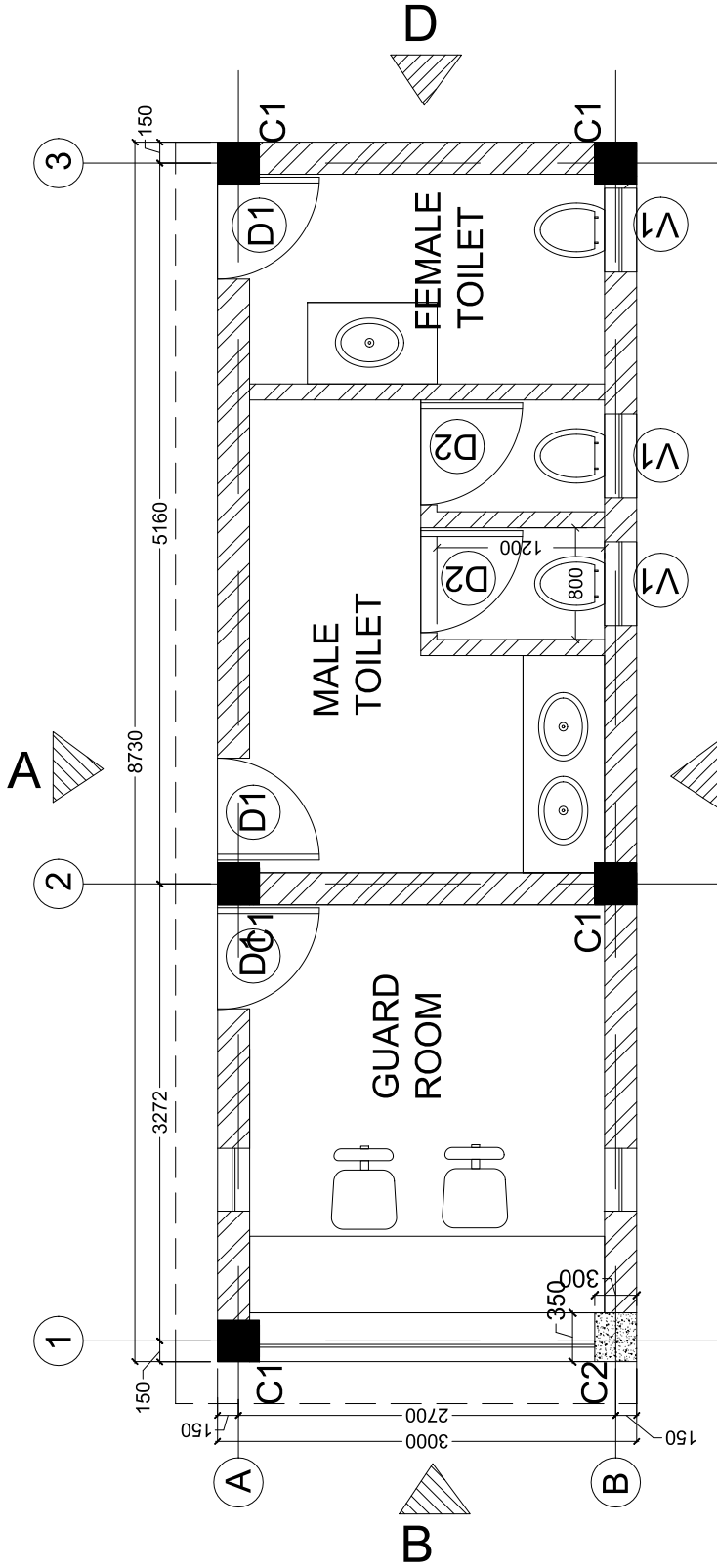
NAME OF PROJECT :
JORHAT AGRO PRIVATE LIMITED
C/O SRI PALASH HAZARIKA
MS HAZARIKA, RICE MILL,
KHERAMA KACHARI GAON BORHOLLA,
JORHAT , JORHAT ,ASSAM , INDIA, 78663

Drawing Title :
MAIN GATE ENTRY

Drawn By :- Saeed Ansari
Date : 09.09.2021
Drawing No -

PURPOSE : TENDER DRAWING
REVISION :
04-11





GUARD ROOM & COMMON TOILET PLAN



STRUCTO CREATIONS (STRUCTURE CONSULTANT) JAGAT RAM PARK LAXMI NAGAR, NEW DELHI - 110092 EMAIL : msansari613@gmail.com	CLIENT/SPV : JORHAT AGRO PRIVATE LIMITED	NAME OF PROJECT : JORHAT AGRO PRIVATE LIMITED C/O SRI PALASH HAZARIKA MS HAZARIKA, RICE MILL, KHERAMA KACHARI GAON BORHOLLA, JORHAT , JORHAT , ASSAM , INDIA, 786633
Drawing Title : GUARD ROOM & COMMON TOILET PLAN	Drawn By :- Saeed Ansari Date : 09.09.2021 Drawing No - 04-12	PURPOSE : TENDER DRAWING REVISION : -

GENERAL NOTES -

1. ALL DIMENSIONS ARE IN MILLIMETERS UNLESS OTHERWISE SPECIFIED.

2. ALL DIMENSIONS ARE TO FACE UNLESS OTHERWISE SPECIFIED.

3. ALL DIMENSIONS ARE TO FACE UNLESS OTHERWISE SPECIFIED.

4. ALL DIMENSIONS ARE TO FACE UNLESS OTHERWISE SPECIFIED.

5. ALL DIMENSIONS ARE TO FACE UNLESS OTHERWISE SPECIFIED.

6. ALL DIMENSIONS ARE TO FACE UNLESS OTHERWISE SPECIFIED.

7. ALL DIMENSIONS ARE TO FACE UNLESS OTHERWISE SPECIFIED.

8. ALL DIMENSIONS ARE TO FACE UNLESS OTHERWISE SPECIFIED.

9. ALL DIMENSIONS ARE TO FACE UNLESS OTHERWISE SPECIFIED.

10. ALL DIMENSIONS ARE TO FACE UNLESS OTHERWISE SPECIFIED.

11. ALL DIMENSIONS ARE TO FACE UNLESS OTHERWISE SPECIFIED.

12. ALL DIMENSIONS ARE TO FACE UNLESS OTHERWISE SPECIFIED.

13. ALL DIMENSIONS ARE TO FACE UNLESS OTHERWISE SPECIFIED.

14. ALL DIMENSIONS ARE TO FACE UNLESS OTHERWISE SPECIFIED.

15. ALL DIMENSIONS ARE TO FACE UNLESS OTHERWISE SPECIFIED.

16. ALL DIMENSIONS ARE TO FACE UNLESS OTHERWISE SPECIFIED.

17. ALL DIMENSIONS ARE TO FACE UNLESS OTHERWISE SPECIFIED.

18. ALL DIMENSIONS ARE TO FACE UNLESS OTHERWISE SPECIFIED.

19. ALL DIMENSIONS ARE TO FACE UNLESS OTHERWISE SPECIFIED.

20. ALL DIMENSIONS ARE TO FACE UNLESS OTHERWISE SPECIFIED.

21. ALL DIMENSIONS ARE TO FACE UNLESS OTHERWISE SPECIFIED.

22. ALL DIMENSIONS ARE TO FACE UNLESS OTHERWISE SPECIFIED.

23. ALL DIMENSIONS ARE TO FACE UNLESS OTHERWISE SPECIFIED.

24. ALL DIMENSIONS ARE TO FACE UNLESS OTHERWISE SPECIFIED.

25. ALL DIMENSIONS ARE TO FACE UNLESS OTHERWISE SPECIFIED.

26. ALL DIMENSIONS ARE TO FACE UNLESS OTHERWISE SPECIFIED.

27. ALL DIMENSIONS ARE TO FACE UNLESS OTHERWISE SPECIFIED.

28. ALL DIMENSIONS ARE TO FACE UNLESS OTHERWISE SPECIFIED.

29. ALL DIMENSIONS ARE TO FACE UNLESS OTHERWISE SPECIFIED.

30. ALL DIMENSIONS ARE TO FACE UNLESS OTHERWISE SPECIFIED.

31. ALL DIMENSIONS ARE TO FACE UNLESS OTHERWISE SPECIFIED.

32. ALL DIMENSIONS ARE TO FACE UNLESS OTHERWISE SPECIFIED.

33. ALL DIMENSIONS ARE TO FACE UNLESS OTHERWISE SPECIFIED.

34. ALL DIMENSIONS ARE TO FACE UNLESS OTHERWISE SPECIFIED.

35. ALL DIMENSIONS ARE TO FACE UNLESS OTHERWISE SPECIFIED.

36. ALL DIMENSIONS ARE TO FACE UNLESS OTHERWISE SPECIFIED.

37. ALL DIMENSIONS ARE TO FACE UNLESS OTHERWISE SPECIFIED.

38. ALL DIMENSIONS ARE TO FACE UNLESS OTHERWISE SPECIFIED.

39. ALL DIMENSIONS ARE TO FACE UNLESS OTHERWISE SPECIFIED.

40. ALL DIMENSIONS ARE TO FACE UNLESS OTHERWISE SPECIFIED.

41. ALL DIMENSIONS ARE TO FACE UNLESS OTHERWISE SPECIFIED.

42. ALL DIMENSIONS ARE TO FACE UNLESS OTHERWISE SPECIFIED.

43. ALL DIMENSIONS ARE TO FACE UNLESS OTHERWISE SPECIFIED.

44. ALL DIMENSIONS ARE TO FACE UNLESS OTHERWISE SPECIFIED.

45. ALL DIMENSIONS ARE TO FACE UNLESS OTHERWISE SPECIFIED.

46. ALL DIMENSIONS ARE TO FACE UNLESS OTHERWISE SPECIFIED.

47. ALL DIMENSIONS ARE TO FACE UNLESS OTHERWISE SPECIFIED.

48. ALL DIMENSIONS ARE TO FACE UNLESS OTHERWISE SPECIFIED.

49. ALL DIMENSIONS ARE TO FACE UNLESS OTHERWISE SPECIFIED.

50. ALL DIMENSIONS ARE TO FACE UNLESS OTHERWISE SPECIFIED.

51. ALL DIMENSIONS ARE TO FACE UNLESS OTHERWISE SPECIFIED.

52. ALL DIMENSIONS ARE TO FACE UNLESS OTHERWISE SPECIFIED.

53. ALL DIMENSIONS ARE TO FACE UNLESS OTHERWISE SPECIFIED.

54. ALL DIMENSIONS ARE TO FACE UNLESS OTHERWISE SPECIFIED.

55. ALL DIMENSIONS ARE TO FACE UNLESS OTHERWISE SPECIFIED.

56. ALL DIMENSIONS ARE TO FACE UNLESS OTHERWISE SPECIFIED.

57. ALL DIMENSIONS ARE TO FACE UNLESS OTHERWISE SPECIFIED.

58. ALL DIMENSIONS ARE TO FACE UNLESS OTHERWISE SPECIFIED.

59. ALL DIMENSIONS ARE TO FACE UNLESS OTHERWISE SPECIFIED.

60. ALL DIMENSIONS ARE TO FACE UNLESS OTHERWISE SPECIFIED.

61. ALL DIMENSIONS ARE TO FACE UNLESS OTHERWISE SPECIFIED.

62. ALL DIMENSIONS ARE TO FACE UNLESS OTHERWISE SPECIFIED.

63. ALL DIMENSIONS ARE TO FACE UNLESS OTHERWISE SPECIFIED.

64. ALL DIMENSIONS ARE TO FACE UNLESS OTHERWISE SPECIFIED.

65. ALL DIMENSIONS ARE TO FACE UNLESS OTHERWISE SPECIFIED.

66. ALL DIMENSIONS ARE TO FACE UNLESS OTHERWISE SPECIFIED.

67. ALL DIMENSIONS ARE TO FACE UNLESS OTHERWISE SPECIFIED.

68. ALL DIMENSIONS ARE TO FACE UNLESS OTHERWISE SPECIFIED.

69. ALL DIMENSIONS ARE TO FACE UNLESS OTHERWISE SPECIFIED.

70. ALL DIMENSIONS ARE TO FACE UNLESS OTHERWISE SPECIFIED.

71. ALL DIMENSIONS ARE TO FACE UNLESS OTHERWISE SPECIFIED.

72. ALL DIMENSIONS ARE TO FACE UNLESS OTHERWISE SPECIFIED.

73. ALL DIMENSIONS ARE TO FACE UNLESS OTHERWISE SPECIFIED.

74. ALL DIMENSIONS ARE TO FACE UNLESS OTHERWISE SPECIFIED.

75. ALL DIMENSIONS ARE TO FACE UNLESS OTHERWISE SPECIFIED.

76. ALL DIMENSIONS ARE TO FACE UNLESS OTHERWISE SPECIFIED.

77. ALL DIMENSIONS ARE TO FACE UNLESS OTHERWISE SPECIFIED.

78. ALL DIMENSIONS ARE TO FACE UNLESS OTHERWISE SPECIFIED.

79. ALL DIMENSIONS ARE TO FACE UNLESS OTHERWISE SPECIFIED.

80. ALL DIMENSIONS ARE TO FACE UNLESS OTHERWISE SPECIFIED.

81. ALL DIMENSIONS ARE TO FACE UNLESS OTHERWISE SPECIFIED.

82. ALL DIMENSIONS ARE TO FACE UNLESS OTHERWISE SPECIFIED.

83. ALL DIMENSIONS ARE TO FACE UNLESS OTHERWISE SPECIFIED.

84. ALL DIMENSIONS ARE TO FACE UNLESS OTHERWISE SPECIFIED.

85. ALL DIMENSIONS ARE TO FACE UNLESS OTHERWISE SPECIFIED.

86. ALL DIMENSIONS ARE TO FACE UNLESS OTHERWISE SPECIFIED.

87. ALL DIMENSIONS ARE TO FACE UNLESS OTHERWISE SPECIFIED.

88. ALL DIMENSIONS ARE TO FACE UNLESS OTHERWISE SPECIFIED.

89. ALL DIMENSIONS ARE TO FACE UNLESS OTHERWISE SPECIFIED.

90. ALL DIMENSIONS ARE TO FACE UNLESS OTHERWISE SPECIFIED.

91. ALL DIMENSIONS ARE TO FACE UNLESS OTHERWISE SPECIFIED.

92. ALL DIMENSIONS ARE TO FACE UNLESS OTHERWISE SPECIFIED.

93. ALL DIMENSIONS ARE TO FACE UNLESS OTHERWISE SPECIFIED.

94. ALL DIMENSIONS ARE TO FACE UNLESS OTHERWISE SPECIFIED.

95. ALL DIMENSIONS ARE TO FACE UNLESS OTHERWISE SPECIFIED.

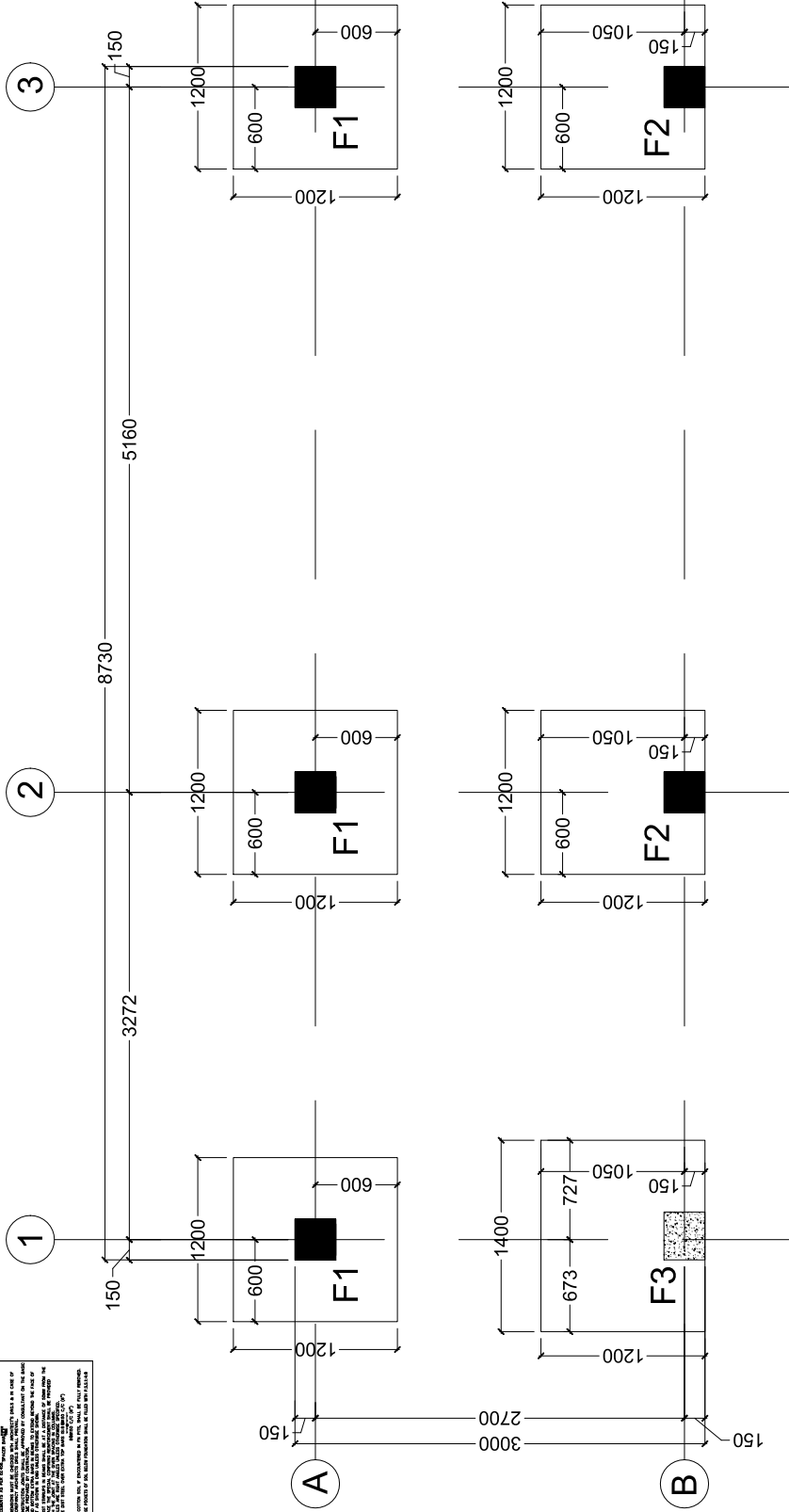
96. ALL DIMENSIONS ARE TO FACE UNLESS OTHERWISE SPECIFIED.

97. ALL DIMENSIONS ARE TO FACE UNLESS OTHERWISE SPECIFIED.

98. ALL DIMENSIONS ARE TO FACE UNLESS OTHERWISE SPECIFIED.

99. ALL DIMENSIONS ARE TO FACE UNLESS OTHERWISE SPECIFIED.

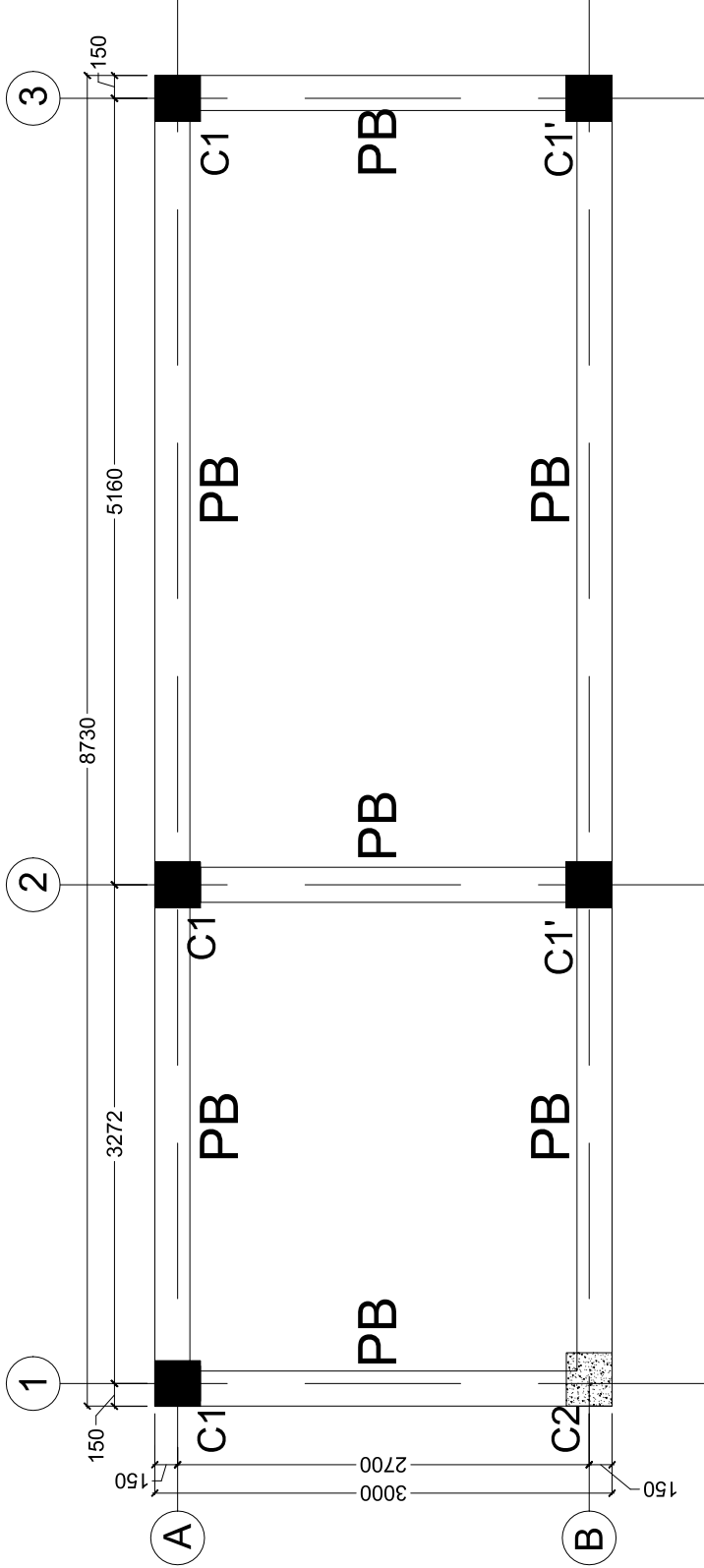
100. ALL DIMENSIONS ARE TO FACE UNLESS OTHERWISE SPECIFIED.



FOUNDATION PLAN



STRUCTO CREATIONS (STRUCTURE CONSULTANTS) JAGAT RAM PARK LAXMI NAGAR, NEW DELHI - 110092 EMAIL : msansari613@gmail.com	CLIENT/SPV : JORHAT AGRO PRIVATE LIMITED	NAME OF PROJECT : JORHAT AGRO PRIVATE LIMITED C/O SRI PALASH HAZARIKA MS HAZARIKA, RICE MILL KHERAMA KACHARI GAON BORHOLLA, JORHAT , JORHAT ,ASSAM , INDIA, 786633
Drawing Title : GUARD ROOM & COMMON TOILET FOUNDATION PLAN		
Drawn By :- Saeed Ansari		
Date : 09.09.2021		
Drawing No - 04-14		
PURPOSE : TENDER DRAWING		
REVISION : -		



PLINTH BEAM PLAN

GENERAL NOTES -

NOTE & REFERENCES -

1. ALL DIMENSIONS ARE IN METERS.
2. ALL DIMENSIONS ARE TO FACE UNLESS SPECIFIED OTHERWISE.
3. ALL DIMENSIONS ARE TO FACE UNLESS SPECIFIED OTHERWISE.
4. ALL DIMENSIONS ARE TO FACE UNLESS SPECIFIED OTHERWISE.
5. ALL DIMENSIONS ARE TO FACE UNLESS SPECIFIED OTHERWISE.
6. ALL DIMENSIONS ARE TO FACE UNLESS SPECIFIED OTHERWISE.
7. ALL DIMENSIONS ARE TO FACE UNLESS SPECIFIED OTHERWISE.
8. ALL DIMENSIONS ARE TO FACE UNLESS SPECIFIED OTHERWISE.
9. ALL DIMENSIONS ARE TO FACE UNLESS SPECIFIED OTHERWISE.
10. ALL DIMENSIONS ARE TO FACE UNLESS SPECIFIED OTHERWISE.
11. ALL DIMENSIONS ARE TO FACE UNLESS SPECIFIED OTHERWISE.
12. ALL DIMENSIONS ARE TO FACE UNLESS SPECIFIED OTHERWISE.
13. ALL DIMENSIONS ARE TO FACE UNLESS SPECIFIED OTHERWISE.
14. ALL DIMENSIONS ARE TO FACE UNLESS SPECIFIED OTHERWISE.
15. ALL DIMENSIONS ARE TO FACE UNLESS SPECIFIED OTHERWISE.
16. ALL DIMENSIONS ARE TO FACE UNLESS SPECIFIED OTHERWISE.
17. ALL DIMENSIONS ARE TO FACE UNLESS SPECIFIED OTHERWISE.
18. ALL DIMENSIONS ARE TO FACE UNLESS SPECIFIED OTHERWISE.
19. ALL DIMENSIONS ARE TO FACE UNLESS SPECIFIED OTHERWISE.
20. ALL DIMENSIONS ARE TO FACE UNLESS SPECIFIED OTHERWISE.
21. ALL DIMENSIONS ARE TO FACE UNLESS SPECIFIED OTHERWISE.
22. ALL DIMENSIONS ARE TO FACE UNLESS SPECIFIED OTHERWISE.
23. ALL DIMENSIONS ARE TO FACE UNLESS SPECIFIED OTHERWISE.
24. ALL DIMENSIONS ARE TO FACE UNLESS SPECIFIED OTHERWISE.
25. ALL DIMENSIONS ARE TO FACE UNLESS SPECIFIED OTHERWISE.
26. ALL DIMENSIONS ARE TO FACE UNLESS SPECIFIED OTHERWISE.
27. ALL DIMENSIONS ARE TO FACE UNLESS SPECIFIED OTHERWISE.
28. ALL DIMENSIONS ARE TO FACE UNLESS SPECIFIED OTHERWISE.
29. ALL DIMENSIONS ARE TO FACE UNLESS SPECIFIED OTHERWISE.
30. ALL DIMENSIONS ARE TO FACE UNLESS SPECIFIED OTHERWISE.
31. ALL DIMENSIONS ARE TO FACE UNLESS SPECIFIED OTHERWISE.
32. ALL DIMENSIONS ARE TO FACE UNLESS SPECIFIED OTHERWISE.
33. ALL DIMENSIONS ARE TO FACE UNLESS SPECIFIED OTHERWISE.
34. ALL DIMENSIONS ARE TO FACE UNLESS SPECIFIED OTHERWISE.
35. ALL DIMENSIONS ARE TO FACE UNLESS SPECIFIED OTHERWISE.
36. ALL DIMENSIONS ARE TO FACE UNLESS SPECIFIED OTHERWISE.
37. ALL DIMENSIONS ARE TO FACE UNLESS SPECIFIED OTHERWISE.
38. ALL DIMENSIONS ARE TO FACE UNLESS SPECIFIED OTHERWISE.
39. ALL DIMENSIONS ARE TO FACE UNLESS SPECIFIED OTHERWISE.
40. ALL DIMENSIONS ARE TO FACE UNLESS SPECIFIED OTHERWISE.
41. ALL DIMENSIONS ARE TO FACE UNLESS SPECIFIED OTHERWISE.
42. ALL DIMENSIONS ARE TO FACE UNLESS SPECIFIED OTHERWISE.
43. ALL DIMENSIONS ARE TO FACE UNLESS SPECIFIED OTHERWISE.
44. ALL DIMENSIONS ARE TO FACE UNLESS SPECIFIED OTHERWISE.
45. ALL DIMENSIONS ARE TO FACE UNLESS SPECIFIED OTHERWISE.
46. ALL DIMENSIONS ARE TO FACE UNLESS SPECIFIED OTHERWISE.
47. ALL DIMENSIONS ARE TO FACE UNLESS SPECIFIED OTHERWISE.
48. ALL DIMENSIONS ARE TO FACE UNLESS SPECIFIED OTHERWISE.
49. ALL DIMENSIONS ARE TO FACE UNLESS SPECIFIED OTHERWISE.
50. ALL DIMENSIONS ARE TO FACE UNLESS SPECIFIED OTHERWISE.
51. ALL DIMENSIONS ARE TO FACE UNLESS SPECIFIED OTHERWISE.
52. ALL DIMENSIONS ARE TO FACE UNLESS SPECIFIED OTHERWISE.
53. ALL DIMENSIONS ARE TO FACE UNLESS SPECIFIED OTHERWISE.
54. ALL DIMENSIONS ARE TO FACE UNLESS SPECIFIED OTHERWISE.
55. ALL DIMENSIONS ARE TO FACE UNLESS SPECIFIED OTHERWISE.
56. ALL DIMENSIONS ARE TO FACE UNLESS SPECIFIED OTHERWISE.
57. ALL DIMENSIONS ARE TO FACE UNLESS SPECIFIED OTHERWISE.
58. ALL DIMENSIONS ARE TO FACE UNLESS SPECIFIED OTHERWISE.
59. ALL DIMENSIONS ARE TO FACE UNLESS SPECIFIED OTHERWISE.
60. ALL DIMENSIONS ARE TO FACE UNLESS SPECIFIED OTHERWISE.
61. ALL DIMENSIONS ARE TO FACE UNLESS SPECIFIED OTHERWISE.
62. ALL DIMENSIONS ARE TO FACE UNLESS SPECIFIED OTHERWISE.
63. ALL DIMENSIONS ARE TO FACE UNLESS SPECIFIED OTHERWISE.
64. ALL DIMENSIONS ARE TO FACE UNLESS SPECIFIED OTHERWISE.
65. ALL DIMENSIONS ARE TO FACE UNLESS SPECIFIED OTHERWISE.
66. ALL DIMENSIONS ARE TO FACE UNLESS SPECIFIED OTHERWISE.
67. ALL DIMENSIONS ARE TO FACE UNLESS SPECIFIED OTHERWISE.
68. ALL DIMENSIONS ARE TO FACE UNLESS SPECIFIED OTHERWISE.
69. ALL DIMENSIONS ARE TO FACE UNLESS SPECIFIED OTHERWISE.
70. ALL DIMENSIONS ARE TO FACE UNLESS SPECIFIED OTHERWISE.
71. ALL DIMENSIONS ARE TO FACE UNLESS SPECIFIED OTHERWISE.
72. ALL DIMENSIONS ARE TO FACE UNLESS SPECIFIED OTHERWISE.
73. ALL DIMENSIONS ARE TO FACE UNLESS SPECIFIED OTHERWISE.
74. ALL DIMENSIONS ARE TO FACE UNLESS SPECIFIED OTHERWISE.
75. ALL DIMENSIONS ARE TO FACE UNLESS SPECIFIED OTHERWISE.
76. ALL DIMENSIONS ARE TO FACE UNLESS SPECIFIED OTHERWISE.
77. ALL DIMENSIONS ARE TO FACE UNLESS SPECIFIED OTHERWISE.
78. ALL DIMENSIONS ARE TO FACE UNLESS SPECIFIED OTHERWISE.
79. ALL DIMENSIONS ARE TO FACE UNLESS SPECIFIED OTHERWISE.
80. ALL DIMENSIONS ARE TO FACE UNLESS SPECIFIED OTHERWISE.
81. ALL DIMENSIONS ARE TO FACE UNLESS SPECIFIED OTHERWISE.
82. ALL DIMENSIONS ARE TO FACE UNLESS SPECIFIED OTHERWISE.
83. ALL DIMENSIONS ARE TO FACE UNLESS SPECIFIED OTHERWISE.
84. ALL DIMENSIONS ARE TO FACE UNLESS SPECIFIED OTHERWISE.
85. ALL DIMENSIONS ARE TO FACE UNLESS SPECIFIED OTHERWISE.
86. ALL DIMENSIONS ARE TO FACE UNLESS SPECIFIED OTHERWISE.
87. ALL DIMENSIONS ARE TO FACE UNLESS SPECIFIED OTHERWISE.
88. ALL DIMENSIONS ARE TO FACE UNLESS SPECIFIED OTHERWISE.
89. ALL DIMENSIONS ARE TO FACE UNLESS SPECIFIED OTHERWISE.
90. ALL DIMENSIONS ARE TO FACE UNLESS SPECIFIED OTHERWISE.
91. ALL DIMENSIONS ARE TO FACE UNLESS SPECIFIED OTHERWISE.
92. ALL DIMENSIONS ARE TO FACE UNLESS SPECIFIED OTHERWISE.
93. ALL DIMENSIONS ARE TO FACE UNLESS SPECIFIED OTHERWISE.
94. ALL DIMENSIONS ARE TO FACE UNLESS SPECIFIED OTHERWISE.
95. ALL DIMENSIONS ARE TO FACE UNLESS SPECIFIED OTHERWISE.
96. ALL DIMENSIONS ARE TO FACE UNLESS SPECIFIED OTHERWISE.
97. ALL DIMENSIONS ARE TO FACE UNLESS SPECIFIED OTHERWISE.
98. ALL DIMENSIONS ARE TO FACE UNLESS SPECIFIED OTHERWISE.
99. ALL DIMENSIONS ARE TO FACE UNLESS SPECIFIED OTHERWISE.
100. ALL DIMENSIONS ARE TO FACE UNLESS SPECIFIED OTHERWISE.



STRUCTO CREATIONS
STRUCTURE CONSULTANTS
 R-216, Phase-2, Connaught Place, New Delhi-110092
 Lic. No. AM11778350

STRUCTO CREATIONS
 (STRUCTURE CONSULTANT)
 JAGAT RAM PARK
 LAXMI NAGAR, NEW DELHI - 110092
 EMAIL : msansari613@gmail.com

CLIENT/SPV :
 JORHAT AGRO
 PRIVATE LIMITED

NAME OF PROJECT :
 JORHAT AGRO PRIVATE LIMITED
 C/O SRI PALASH HAZARIKA
 MS HAZARIKA, RICE MILL
 KHERAMA KACHARI GAON BORHOLLA,
 JORHAT , JORHAT ,ASSAM , INDIA, 786633

Drawing Title :
 GUARD ROOM & COMMON
 TOILET PLINTH BEAM PLAN

Drawn By :- Saeed Ansari
 Date : 09.09.2021
 Drawing No -

04-15
 PURPOSE : TENDER
 DRAWING

REVISION : -

GENERAL NOTES -

1. ALL DIMENSIONS ARE IN MILLIMETERS UNLESS OTHERWISE SPECIFIED.

2. ALL DIMENSIONS ARE TO FACE UNLESS OTHERWISE SPECIFIED.

3. ALL DIMENSIONS ARE TO FACE UNLESS OTHERWISE SPECIFIED.

4. ALL DIMENSIONS ARE TO FACE UNLESS OTHERWISE SPECIFIED.

5. ALL DIMENSIONS ARE TO FACE UNLESS OTHERWISE SPECIFIED.

6. ALL DIMENSIONS ARE TO FACE UNLESS OTHERWISE SPECIFIED.

7. ALL DIMENSIONS ARE TO FACE UNLESS OTHERWISE SPECIFIED.

8. ALL DIMENSIONS ARE TO FACE UNLESS OTHERWISE SPECIFIED.

9. ALL DIMENSIONS ARE TO FACE UNLESS OTHERWISE SPECIFIED.

10. ALL DIMENSIONS ARE TO FACE UNLESS OTHERWISE SPECIFIED.

11. ALL DIMENSIONS ARE TO FACE UNLESS OTHERWISE SPECIFIED.

12. ALL DIMENSIONS ARE TO FACE UNLESS OTHERWISE SPECIFIED.

13. ALL DIMENSIONS ARE TO FACE UNLESS OTHERWISE SPECIFIED.

14. ALL DIMENSIONS ARE TO FACE UNLESS OTHERWISE SPECIFIED.

15. ALL DIMENSIONS ARE TO FACE UNLESS OTHERWISE SPECIFIED.

16. ALL DIMENSIONS ARE TO FACE UNLESS OTHERWISE SPECIFIED.

17. ALL DIMENSIONS ARE TO FACE UNLESS OTHERWISE SPECIFIED.

18. ALL DIMENSIONS ARE TO FACE UNLESS OTHERWISE SPECIFIED.

19. ALL DIMENSIONS ARE TO FACE UNLESS OTHERWISE SPECIFIED.

20. ALL DIMENSIONS ARE TO FACE UNLESS OTHERWISE SPECIFIED.

21. ALL DIMENSIONS ARE TO FACE UNLESS OTHERWISE SPECIFIED.

22. ALL DIMENSIONS ARE TO FACE UNLESS OTHERWISE SPECIFIED.

23. ALL DIMENSIONS ARE TO FACE UNLESS OTHERWISE SPECIFIED.

24. ALL DIMENSIONS ARE TO FACE UNLESS OTHERWISE SPECIFIED.

25. ALL DIMENSIONS ARE TO FACE UNLESS OTHERWISE SPECIFIED.

26. ALL DIMENSIONS ARE TO FACE UNLESS OTHERWISE SPECIFIED.

27. ALL DIMENSIONS ARE TO FACE UNLESS OTHERWISE SPECIFIED.

28. ALL DIMENSIONS ARE TO FACE UNLESS OTHERWISE SPECIFIED.

29. ALL DIMENSIONS ARE TO FACE UNLESS OTHERWISE SPECIFIED.

30. ALL DIMENSIONS ARE TO FACE UNLESS OTHERWISE SPECIFIED.

31. ALL DIMENSIONS ARE TO FACE UNLESS OTHERWISE SPECIFIED.

32. ALL DIMENSIONS ARE TO FACE UNLESS OTHERWISE SPECIFIED.

33. ALL DIMENSIONS ARE TO FACE UNLESS OTHERWISE SPECIFIED.

34. ALL DIMENSIONS ARE TO FACE UNLESS OTHERWISE SPECIFIED.

35. ALL DIMENSIONS ARE TO FACE UNLESS OTHERWISE SPECIFIED.

36. ALL DIMENSIONS ARE TO FACE UNLESS OTHERWISE SPECIFIED.

37. ALL DIMENSIONS ARE TO FACE UNLESS OTHERWISE SPECIFIED.

38. ALL DIMENSIONS ARE TO FACE UNLESS OTHERWISE SPECIFIED.

39. ALL DIMENSIONS ARE TO FACE UNLESS OTHERWISE SPECIFIED.

40. ALL DIMENSIONS ARE TO FACE UNLESS OTHERWISE SPECIFIED.

41. ALL DIMENSIONS ARE TO FACE UNLESS OTHERWISE SPECIFIED.

42. ALL DIMENSIONS ARE TO FACE UNLESS OTHERWISE SPECIFIED.

43. ALL DIMENSIONS ARE TO FACE UNLESS OTHERWISE SPECIFIED.

44. ALL DIMENSIONS ARE TO FACE UNLESS OTHERWISE SPECIFIED.

45. ALL DIMENSIONS ARE TO FACE UNLESS OTHERWISE SPECIFIED.

46. ALL DIMENSIONS ARE TO FACE UNLESS OTHERWISE SPECIFIED.

47. ALL DIMENSIONS ARE TO FACE UNLESS OTHERWISE SPECIFIED.

48. ALL DIMENSIONS ARE TO FACE UNLESS OTHERWISE SPECIFIED.

49. ALL DIMENSIONS ARE TO FACE UNLESS OTHERWISE SPECIFIED.

50. ALL DIMENSIONS ARE TO FACE UNLESS OTHERWISE SPECIFIED.

51. ALL DIMENSIONS ARE TO FACE UNLESS OTHERWISE SPECIFIED.

52. ALL DIMENSIONS ARE TO FACE UNLESS OTHERWISE SPECIFIED.

53. ALL DIMENSIONS ARE TO FACE UNLESS OTHERWISE SPECIFIED.

54. ALL DIMENSIONS ARE TO FACE UNLESS OTHERWISE SPECIFIED.

55. ALL DIMENSIONS ARE TO FACE UNLESS OTHERWISE SPECIFIED.

56. ALL DIMENSIONS ARE TO FACE UNLESS OTHERWISE SPECIFIED.

57. ALL DIMENSIONS ARE TO FACE UNLESS OTHERWISE SPECIFIED.

58. ALL DIMENSIONS ARE TO FACE UNLESS OTHERWISE SPECIFIED.

59. ALL DIMENSIONS ARE TO FACE UNLESS OTHERWISE SPECIFIED.

60. ALL DIMENSIONS ARE TO FACE UNLESS OTHERWISE SPECIFIED.

61. ALL DIMENSIONS ARE TO FACE UNLESS OTHERWISE SPECIFIED.

62. ALL DIMENSIONS ARE TO FACE UNLESS OTHERWISE SPECIFIED.

63. ALL DIMENSIONS ARE TO FACE UNLESS OTHERWISE SPECIFIED.

64. ALL DIMENSIONS ARE TO FACE UNLESS OTHERWISE SPECIFIED.

65. ALL DIMENSIONS ARE TO FACE UNLESS OTHERWISE SPECIFIED.

66. ALL DIMENSIONS ARE TO FACE UNLESS OTHERWISE SPECIFIED.

67. ALL DIMENSIONS ARE TO FACE UNLESS OTHERWISE SPECIFIED.

68. ALL DIMENSIONS ARE TO FACE UNLESS OTHERWISE SPECIFIED.

69. ALL DIMENSIONS ARE TO FACE UNLESS OTHERWISE SPECIFIED.

70. ALL DIMENSIONS ARE TO FACE UNLESS OTHERWISE SPECIFIED.

71. ALL DIMENSIONS ARE TO FACE UNLESS OTHERWISE SPECIFIED.

72. ALL DIMENSIONS ARE TO FACE UNLESS OTHERWISE SPECIFIED.

73. ALL DIMENSIONS ARE TO FACE UNLESS OTHERWISE SPECIFIED.

74. ALL DIMENSIONS ARE TO FACE UNLESS OTHERWISE SPECIFIED.

75. ALL DIMENSIONS ARE TO FACE UNLESS OTHERWISE SPECIFIED.

76. ALL DIMENSIONS ARE TO FACE UNLESS OTHERWISE SPECIFIED.

77. ALL DIMENSIONS ARE TO FACE UNLESS OTHERWISE SPECIFIED.

78. ALL DIMENSIONS ARE TO FACE UNLESS OTHERWISE SPECIFIED.

79. ALL DIMENSIONS ARE TO FACE UNLESS OTHERWISE SPECIFIED.

80. ALL DIMENSIONS ARE TO FACE UNLESS OTHERWISE SPECIFIED.

81. ALL DIMENSIONS ARE TO FACE UNLESS OTHERWISE SPECIFIED.

82. ALL DIMENSIONS ARE TO FACE UNLESS OTHERWISE SPECIFIED.

83. ALL DIMENSIONS ARE TO FACE UNLESS OTHERWISE SPECIFIED.

84. ALL DIMENSIONS ARE TO FACE UNLESS OTHERWISE SPECIFIED.

85. ALL DIMENSIONS ARE TO FACE UNLESS OTHERWISE SPECIFIED.

86. ALL DIMENSIONS ARE TO FACE UNLESS OTHERWISE SPECIFIED.

87. ALL DIMENSIONS ARE TO FACE UNLESS OTHERWISE SPECIFIED.

88. ALL DIMENSIONS ARE TO FACE UNLESS OTHERWISE SPECIFIED.

89. ALL DIMENSIONS ARE TO FACE UNLESS OTHERWISE SPECIFIED.

90. ALL DIMENSIONS ARE TO FACE UNLESS OTHERWISE SPECIFIED.

91. ALL DIMENSIONS ARE TO FACE UNLESS OTHERWISE SPECIFIED.

92. ALL DIMENSIONS ARE TO FACE UNLESS OTHERWISE SPECIFIED.

93. ALL DIMENSIONS ARE TO FACE UNLESS OTHERWISE SPECIFIED.

94. ALL DIMENSIONS ARE TO FACE UNLESS OTHERWISE SPECIFIED.

95. ALL DIMENSIONS ARE TO FACE UNLESS OTHERWISE SPECIFIED.

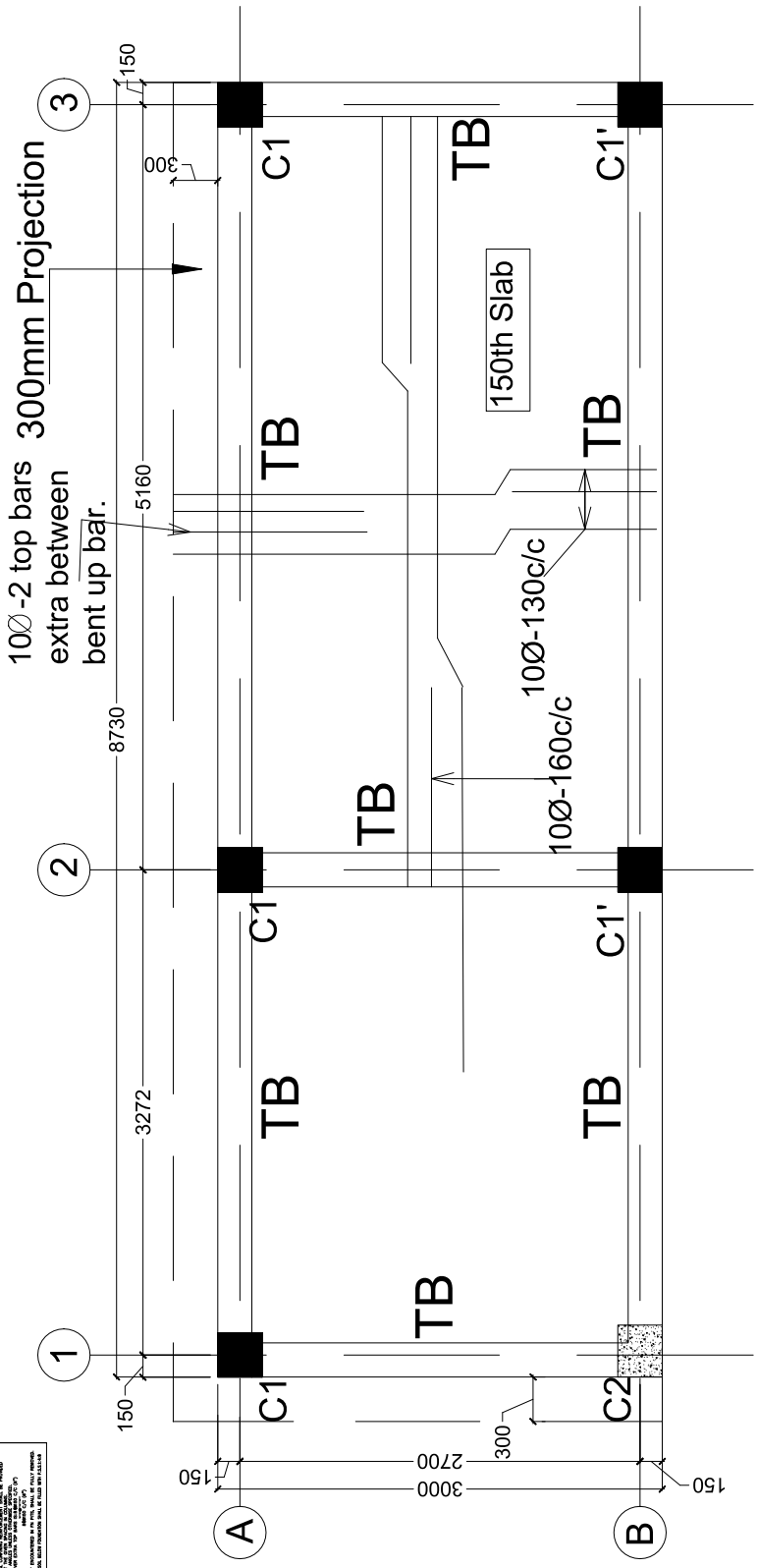
96. ALL DIMENSIONS ARE TO FACE UNLESS OTHERWISE SPECIFIED.

97. ALL DIMENSIONS ARE TO FACE UNLESS OTHERWISE SPECIFIED.

98. ALL DIMENSIONS ARE TO FACE UNLESS OTHERWISE SPECIFIED.

99. ALL DIMENSIONS ARE TO FACE UNLESS OTHERWISE SPECIFIED.

100. ALL DIMENSIONS ARE TO FACE UNLESS OTHERWISE SPECIFIED.



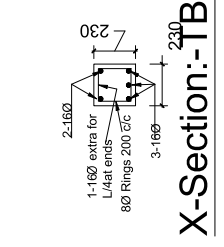
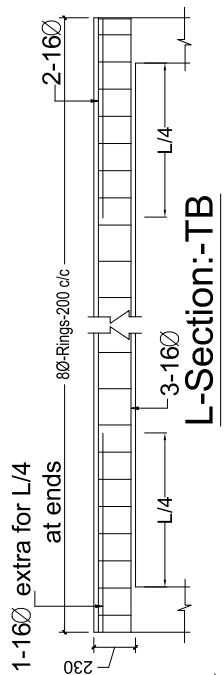
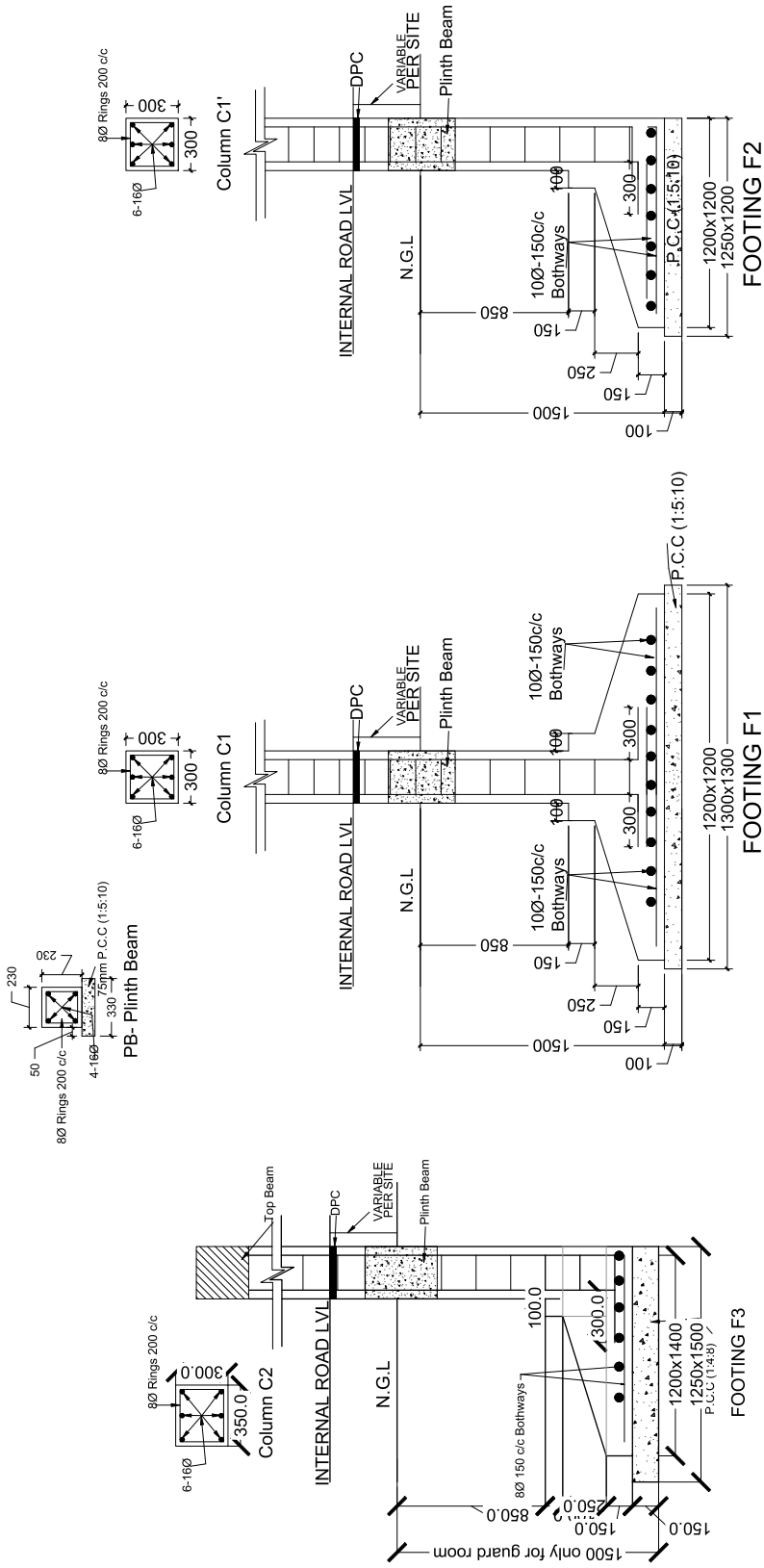
SLAB BEAM PLAN



STRUCTO CREATIONS (STRUCTURE CONSULTANT)
JAGAT RAM PARK LAXMI NAGAR, NEW DELHI -110092 EMAIL : msansari613@gmail.com
CLIENT/SPV : JORHAT AGRO PRIVATE LIMITED
NAME OF PROJECT : JORHAT AGRO PRIVATE LIMITED C/O SRI PALASH HAZARIKA MS HAZARIKA, RICE MILL, KHERAMA KACHARI GAON BORHOLLA, JORHAT , JORHAT ,ASSAM , INDIA, 78663
Drawing Title : GUARD ROOM & COMMON TOILET SLAB BEAM PLAN
Drawn By :- Saeed Ansari
Date : 09.09.2021
Drawing No :- 04-16
PURPOSE : TENDER DRAWING
REVISION : -



STRUCTO CREATIONS (STRUCTURE CONSULTANT)
JAGAT RAM PARK, LAXMI NAGAR, NEW DELHI - 110092 EMAIL: msansari6313@gmail.com
CLIENT/SPV :
JORHAT AGRO PRIVATE LIMITED
NAME OF PROJECT :
JORHAT AGRO PRIVATE LIMITED C/O SRI PALASH HAZARIKA MS HAZARIKA, RICE MILL, KHERAMA KACHARI GAON BORHOLLA, JORHAT , JORHAT , ASSAM , INDIA, 78663
Drawing Title :
GUARD ROOM & COMMON TOILET STRUCTURE DETAIL
Drawn By :- Saeed Ansari
Date : 09.09.2021
Drawing No :-
04-17
PURPOSE : TENDER DRAWING
REVISION :
-



- GENERAL NOTES -**
1. READ THIS DRAWING IN CONJUNCTION WITH RELEVANT ARCHITECTURAL DRAWINGS. ANY DISCREPANCY FORTH WITH THIS DRAWING SHALL BE SETTLED BY THE ARCHITECT.
 2. ALL DIMENSIONS ARE IN MM & STATE IN MILLIMETRES.
 3. ALL DIMENSIONS ARE TO FACE UNLESS OTHERWISE SPECIFIED.
 4. CORNER LOCATION OF WALLS WITH RELEVANT DIMENSIONS TO BE INDICATED.
 5. CONCRETE GRADE IS M25.
 6. REINFORCEMENT SHALL BE AS FOLLOWS -
 7. THE CLEAR COVER TO THE REINFORCEMENT SHALL BE AS FOLLOWS -
 8. FOUNDATION : 50 MM
 9. BEAMS (top & bottom) : 30 MM Side Cover 25mm
 10. SLABS (slab) : 25 MM
 11. WALLS (top & bottom) : 25 MM
 12. R.C.C. WALL 20 HANGERS (FACE) & 25MM (OTHER FACES)
 13. ALL DIMENSIONS MUST BE CHECKED WITH ARCHITECT'S SHEET & IN CASE OF ANY DISCREPANCY SHALL BE APPROVED BY ARCHITECT'S SIGNATURE.
 14. ALL CONSTRUCTION JOINTS SHALL BE APPROVED BY CONSULTANT ON THE SPOT.
 15. TOP AND BOTTOM MAIN BARS IN BEAMS TO EXTEND BEYOND THE FACE OF COLUMN BY 1.25 L.
 16. THE FIRST STREPS IN BEAMS SHALL BE AT A DISTANCE OF 50MM FROM THE FACE OF COLUMN.
 17. THROUGH THE SPOT AT THE CORNER JOINTS, THE REINFORCEMENT SHALL BE PROVIDED AS PER IS-456:2000.
 18. PROVIDE SET STEEL CATCH EXTRA TOP BARS AS PER IS-456:2000.
 19. ALL CORNER JOINTS OF COLUMN SHALL BE FULLY REINFORCED AS PER IS-456:2000.
 20. ALL CORNER JOINTS OF WALL BEHIND FOUNDATION SHALL BE FULLY REINFORCED AS PER IS-456:2000.