


STRUCTO CREATIONS
 STRUCTURE CONSULTANTS
 R-210, Basement Laxmi Nagar,
 Delhi-110092
 Lic. No. AM1778350

STRUCTO CREATIONS
 (STRUCTURE CONSULTANT)

JAGAT RAM PARK,
 LAXMI NAGAR, NEW DELHI - 110092
 EMAIL : msansari6313@gmail.com

NAME OF PROJECT :

JORHAT AGRO PRIVATE
 LIMITED C/O SRI PALASH
 HAZARIKA MS HAZARIKA,
 RICE MILL KHERAMA KACHARI
 GAON BORHOLLA, JORHAT ,
 JORHAT ,ASSAM , INDIA, 785631

CLIENT / SPV :

JORHAT AGRO
 PRIVATE LIMITED

DRAWING NO.

01-00

DRAWING TITLE -
 SITE PLAN

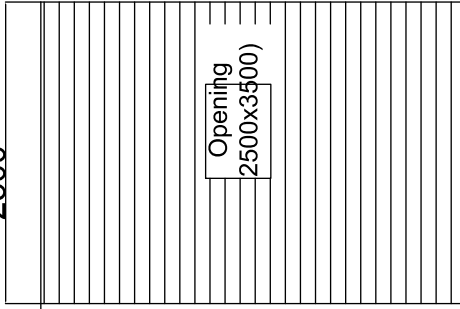
PUPOSE - TENDER DRAWING

Drawn By :- Saeed Ansari

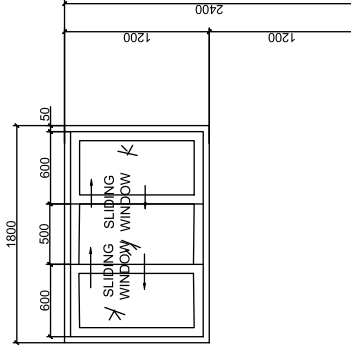
DATE- 09-09-2021

2500

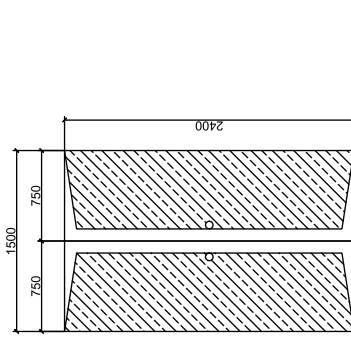
3500



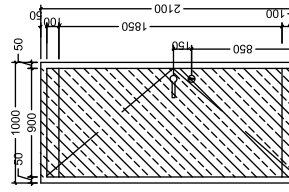
RS-Rolling Shutter
(2500x3500)



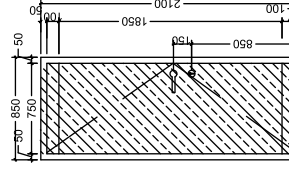
W1(1800X1200)
ALUMINIUM



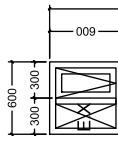
D3-AL Door
1500X2400



D1-AL Door
900x2100



D2-AL Door
750x2100



V1(900X600)
AL

DOOR WINDOW SCHEDULE

	CILL	LINTEL	WIDTH	QUANTITY	MATERIAL
V1	1800	600	600	3	Aluminium
D1	-	2100	900	1	Aluminium
D2	-	2100	750	3	Aluminium
D3	-	2400	1500	4	Aluminium
RS	-	3500	2500	5	Aluminium
W1	1200	1800	1200	19	Aluminium



STRUCTO CREATIONS
STRUCTURE CONSULTANTS
R-210, Bala Kashi, Gauri Nagar,
Patna-110092
Lic. No. AM1778350

STRUCTO CREATIONS
(STRUCTURE CONSULTANT)

JAGAT RAM PARK
TAXMI NAGAR, NEW DELHI -110092
EMAIL : msansari63@gmail.com

CLIENT/SPV :

JORHAT AGRO
PRIVATE LIMITED

NAME OF PROJECT :

JORHAT AGRO PRIVATE LIMITED
C/O SRI PALASH HAZARIKA
MS HAZARIKA, RICE MILL,
KHERAMA KACHARI GAON BORHOLLA,
JORHAT , JORHAT , ASSAM , INDIA, 78663

Drawing Title :

DOOR WINDOW SCHEDULE

Drawn By :- Saeed Ansari

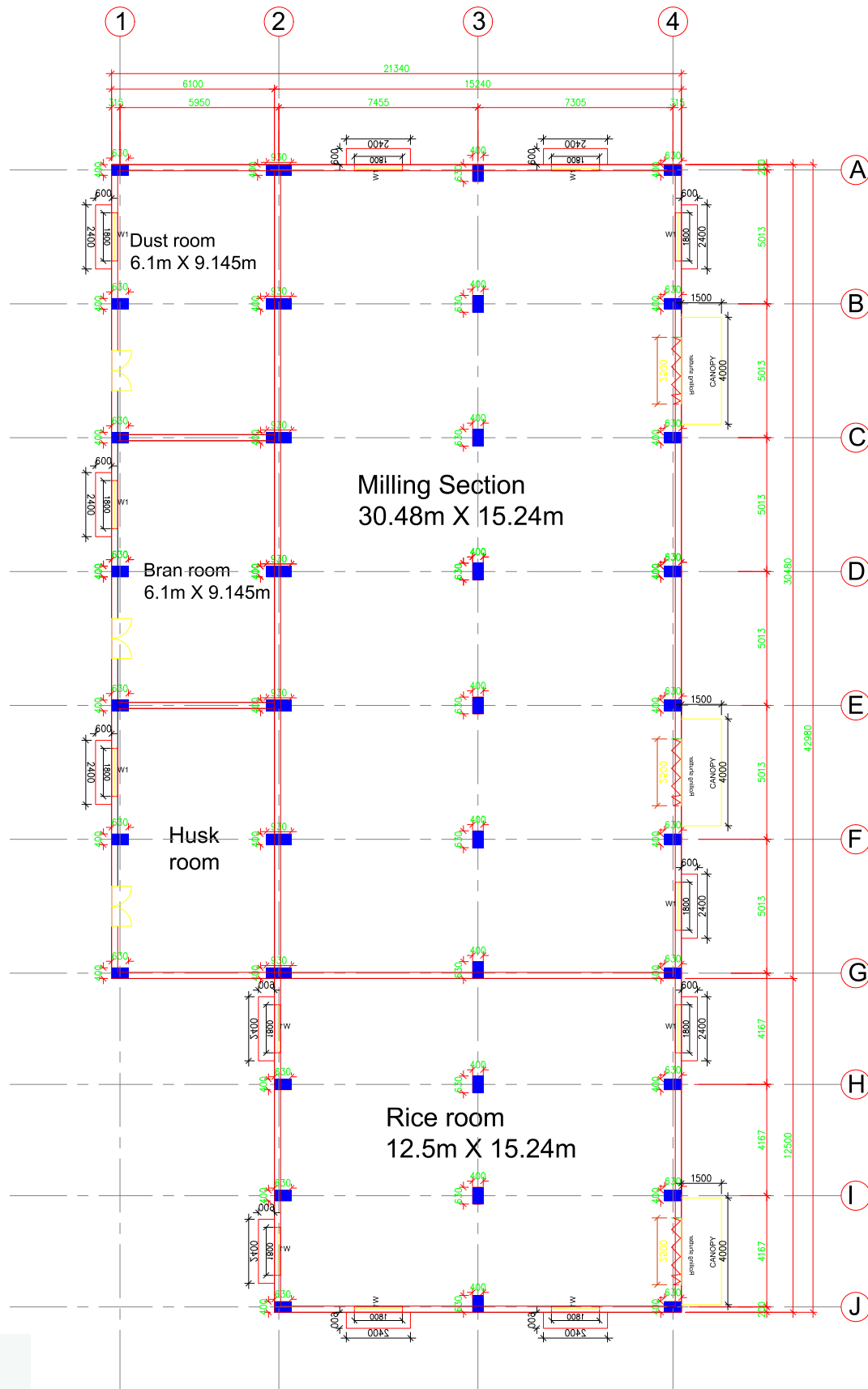
Date : 09.09.2021

Drawing No -

01-02

PURPOSE : TENDER
DRAWING

REVISION : -



PLAN


STRUCTO CREATIONS
 STRUCTURE CONSULTANTS
 R-210, Basement Laxmi Nagar,
 Delhi-110092
 Lic. No. AM1778350

STRUCTO CREATIONS
(STRUCTURE CONSULTANT)

JAGAT RAM PARK,
 LAXMI NAGAR, NEW DELHI -110092
 EMAIL : msansari6313@gmail.com

NAME OF PROJECT :

JORHAT AGRO PRIVATE
 LIMITED C/O SRI PALASH
 HAZARIKA MS HAZARIKA,
 RICE MILL KHERAMA KACHARI
 GAON BORHOLLA, JORHAT ,
 JORHAT ,ASSAM , INDIA, 785631

CLIENT / SPV :

JORHAT AGRO
PRIVATE LIMITED

DRAWING NO.

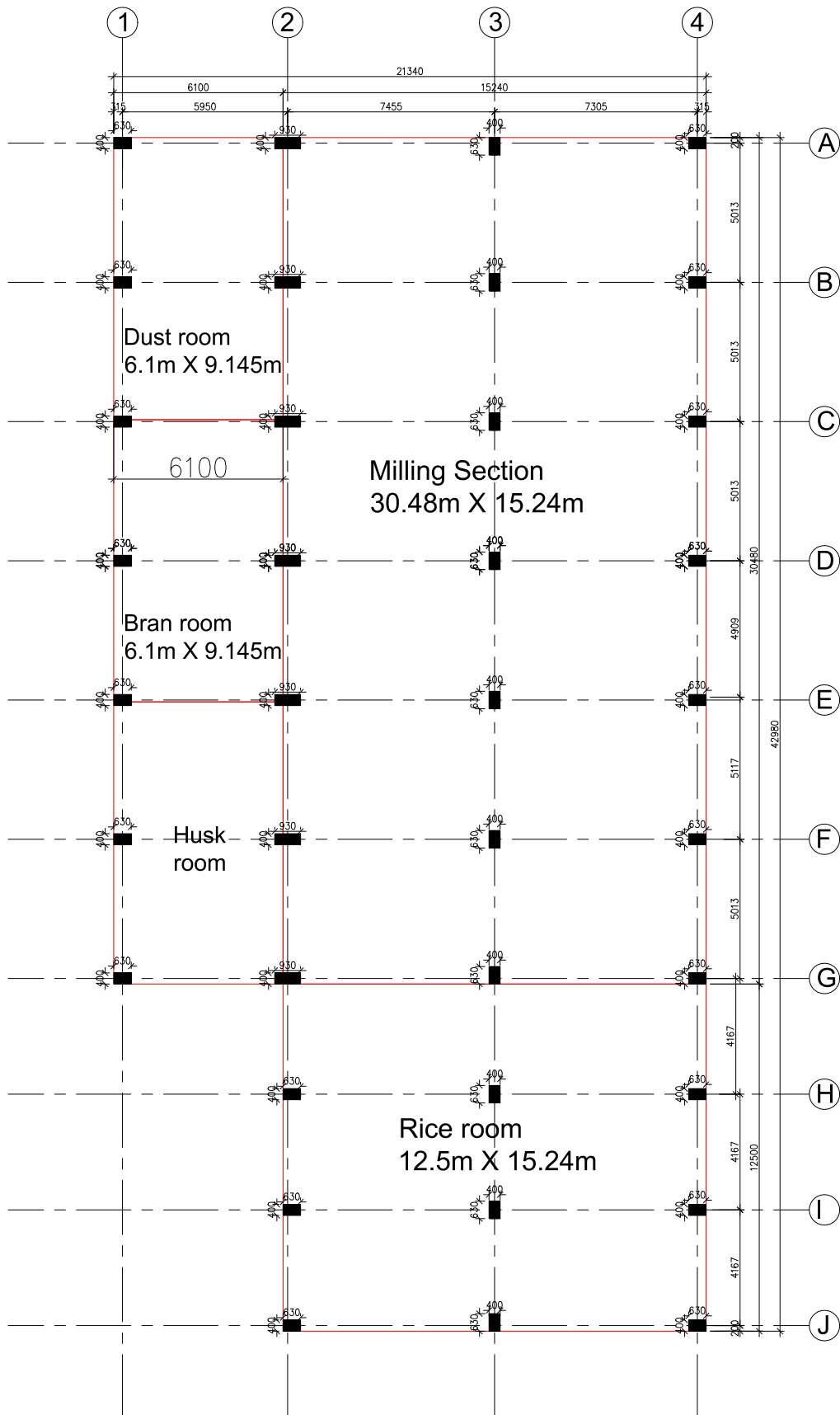
02-01

DRAWING TITLE -
RICE MILL PLAN

PUPOSE - TENDER DRAWING

Drawn By :- Saeed Ansari

DATE- 09-09-2021



CENTERLINE PLAN



STRUCTO CREATIONS
(STRUCTURE CONSULTANT)

JAGAT RAM PARK,
LAXMI NAGAR, NEW DELHI -110092
EMAIL : msansari6313@gmail.com

NAME OF PROJECT :

JORHAT AGRO PRIVATE
LIMITED C/O SRI PALASH
HAZARIKA MS HAZARIKA,
RICE MILL KHERAMA KACHARI
GAON BORHOLLA, JORHAT ,
JORHAT ,ASSAM , INDIA, 785631

CLIENT / SPV :

JORHAT AGRO
PRIVATE LIMITED

DRAWING NO.

02-02

DRAWING TITLE -
RICE MILL
CENTER LINE PLAN

PUPOSE - TENDER DRAWING

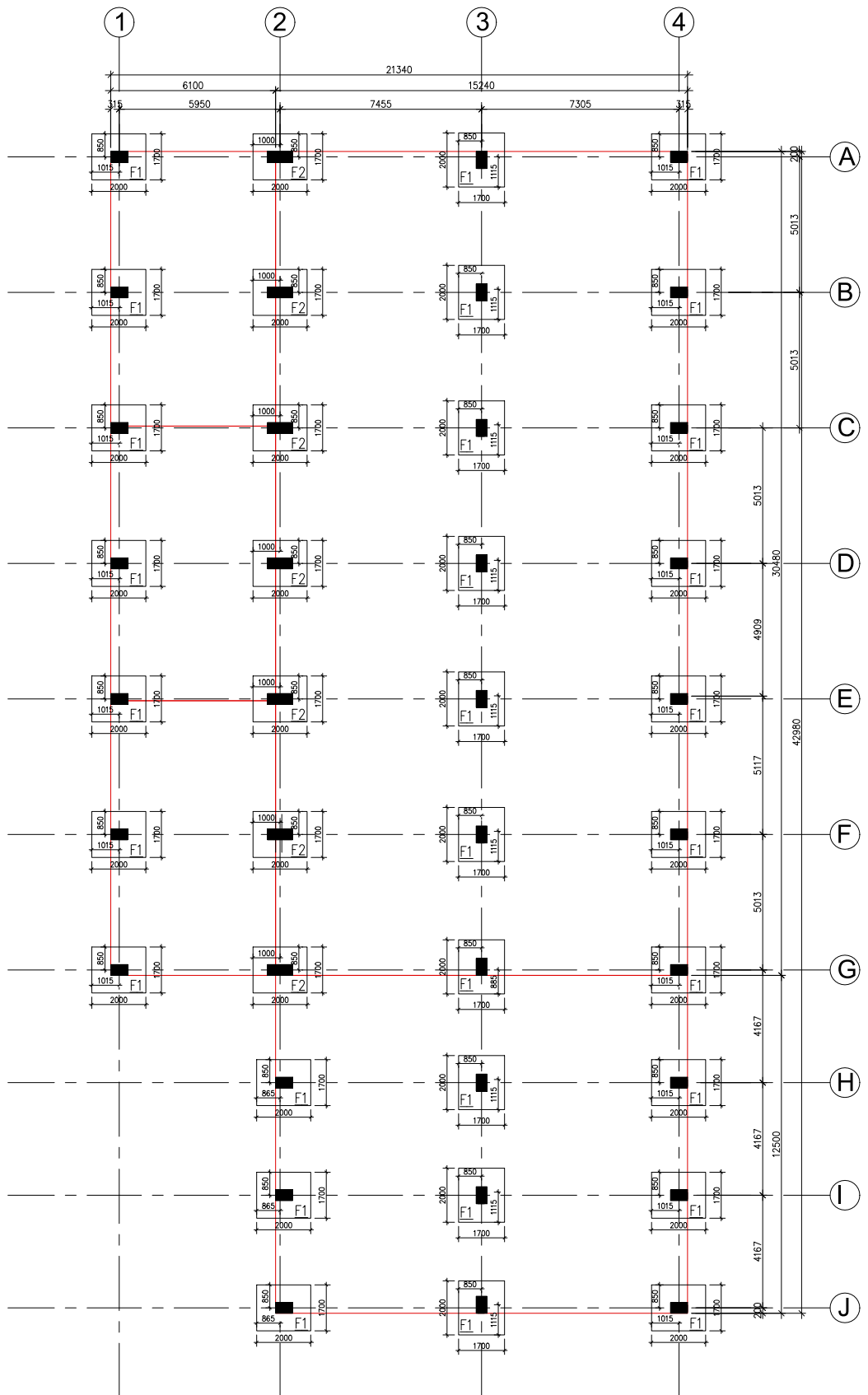
Drawn By :- Saeed Ansari

DATE- 09-09-2021

GENERAL NOTES -

NOTES & REFERENCES

1. READ THIS DRAWING IN CONJUNCTION WITH RELEVANT ARCHITECTURAL DRAWINGS. ANY DISCREPANCY IF FOUND SHALL BE BROUGHT TO THE NOTICE OF CONSULTANT.
2. ALL DIMENSIONS ARE IN MM & LEVELS IN MILLIMETERS. DO NOT SCALE ANY DIMENSION.
3. CONFIRM LOCATION OF WALLS WITH RELEVANT ARCH. DRGS.
4. CONCRETE GRADE IS M25
5. THE REINFORCEMENT SHALL BE SOLDTWISTED DEFORMED BARS (S.T.D) OR T.M.T. BARS HAVING YIELD STRENGTH NOT LESS THAN 500 N/mm² AND CONFORMING TO I.S. 1786 - 2006.
6. THE CLEAR COVER TO THE REINFORCEMENT SHALL BE AS FOLLOWS:-
 - (a) FOUNDATION : 50 MM
 - (b) COLUMNS : 40 MM
 - (S) BEAMS (top & bottom) 30 MM side Cover 25mm
 - (d) SLABS : 25 MM
 - (e) CHAJJAS/CANOPY : 30 MM
 - (f) R.C.C. WALL 30 MM(EARTH FACE) & 25MM(INNER FACE)
7. NOT MORE THAN 50% OF THE BARS SHALL BE LAPPED AT ANY SECTION. LAPS CLOSE TO THE MID SPAN IN BOTTOM BARS & CLOSE TO SUPPORTS IN TOP BARS SHALL BE AVOIDED. LAP LENGTH IS 50d (d IS DIAMETRE OR BAR)
8. - - - - - INDICATES TOP BARS
9. - - - - - INDICATES BOTTOM BARS
10. ALL R.C.C. TO BE MACHINE MIXED, VIBRATED AND SURED THOROUGHLY AS PER IS 456-LATEST.
11. ALL FOOTING ARE CENTRALLY PLACED WITH RESPECTED TO THE CENTER LINE OF COLUMN
12. REINFORCEMENT SHALL BE PROVIDED IN TWO LAYERS WHEREVER FOUND NECESSARY WITH SPACER BAR TO BE PROVIDED BETWEEN TWO LAYERS OF REINFORCEMENTS AS PER IS:456, SPACER BARS
13. ALL DIMENSIONS MUST BE CHECKED WITH ARCHITECT'S DRGS & IN CASE OF ANY DISCREPANCY ARCHITECTS DRGS SHALL PREVAIL.
14. ALL CONSTRUCTION JOINTS SHALL BE APPROVED BY CONSULTANT ON THE BASIC OF SCHEME PREPARED BY CONTRACTOR.
15. TOP AND BOTTOM EXTRA BARS IN BEAMS TO EXTEND BEYOND THE FACE OF SUPPORT AS SHOWN IN DWG UNLESS OTHERWISE SHOWN.
16. THE FIRST STIRRUPS IN BEAMS SHALL BE AT A DISTANCE OF 50MM FROM THE JOINT FACE THE SPECIAL CONFINING REINFORCEMENT SHALL BE PROVIDED THROUGH THE JOINT AT THE GIVEN SPACING IN COLUMNS.
17. ALL ANGLES ARE RIGHT ANGLES UNLESS OTHERWISE SPECIFIED.
18. PROVIDE DIST STEEL OVER EXTRA TOP BARS IS: 8 @150 C/C (6")
19. BLACK COTTON SOIL IF ENCOUNTERED IN FN PITS, SHALL BE FULLY REMOVED.
20. ALL LOOSE POCKETS OF SOIL BELOW FOUNDATION SHALL BE FILLED WITH P.S.S.1:4:8



FOUNDATION PLAN

STRUCTO CREATIONS
 STRUCTURE CONSULTANTS
 R-210, Basement Laxmi Nagar,
 Delhi-110092
 Lic. No. AM1778350

STRUCTO CREATIONS
 (STRUCTURE CONSULTANT)

JAGAT RAM PARK,
 LAXMI NAGAR, NEW DELHI -110092
 EMAIL : msansari6313@gmail.com

NAME OF PROJECT :

JORHAT AGRO PRIVATE
 LIMITED C/O SRI PALASH
 HAZARIKA MS HAZARIKA,
 RICE MILL KHERAMA KACHARI
 GAON BORHOLLA, JORHAT ,
 JORHAT ,ASSAM , INDIA, 785631

CLIENT / SPV :

JORHAT AGRO
 PRIVATE LIMITED

DRAWING NO.

02-03

DRAWING TITLE -
 RICE MILL
 FOUNDATION PLAN

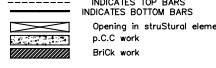
PUPOSE - TENDER DRAWING

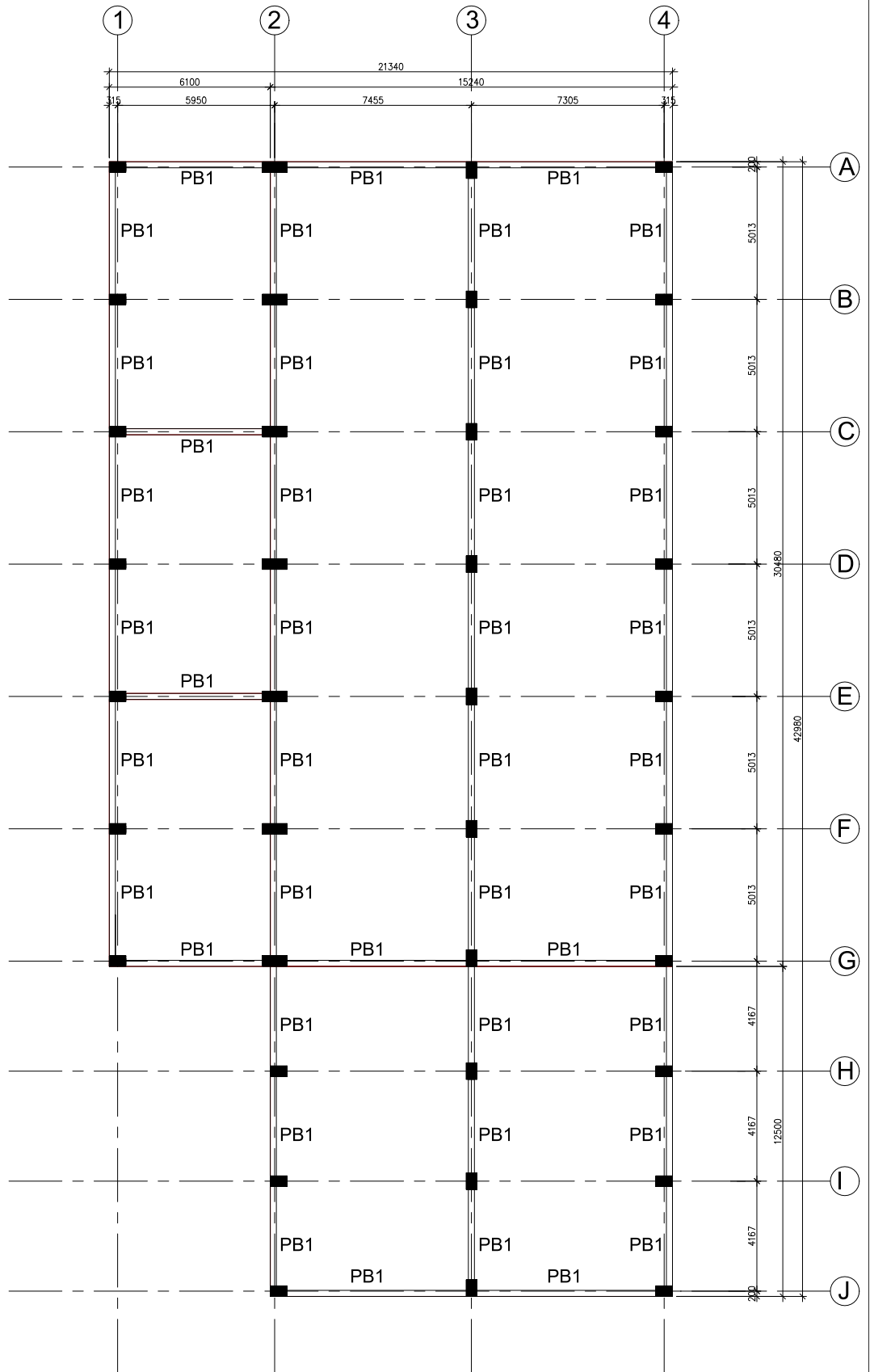
Drawn By :- Saeed Ansari

DATE- 09-09-2021

GENERAL NOTES -

NOTES & REFERENCES

1. READ THIS DRAWING IN CONJUNCTION WITH RELEVANT ARCHITECTURAL DRAWINGS. ANY DISCREPANCY IF FOUND SHALL BE BROUGHT TO THE NOTICE OF CONSULTANT.
2. ALL DIMENSIONS ARE IN MM & LEVELS IN MILLIMETERS.
3. DO NOT SCALE ANY DIMENSION.
4. CONFIRM LOCATION OF WALLS WITH RELEVANT ARCH. DRGS.
5. CONCRETE GRADE IS M25
6. THE REINFORCEMENT SHALL BE SOLDTWISTED DEFORMED BARS (S.T.D) OR T.M.T. BARS HAVING YIELD STRENGTH NOT LESS THAN 500 N/mm² AND CONFORMING TO I.S. 1786 - 2006.
7. THE CLEAR COVER TO THE REINFORCEMENT SHALL BE AS FOLLOWS:-
 - (a) FOUNDATION : 50 MM
 - (b) COLUMNS : 40 MM
 - (S) BEAMS (top & bottom) 30 MM side Cover 25mm
 - (d) SLABS : 25 MM
 - (e) CHAJJAS/CANOPY : 30 MM
 - (f) R.C.C. WALL 30 MM(EARTH FACE) & 25MM(INNER FACE)
8. NOT MORE THAN 50% OF THE BARS SHALL BE LAPPED AT ANY SECTION. LAPS CLOSE TO THE MID SPAN IN BOTTOM BARS & CLOSE TO SUPPORTS IN TOP BARS SHALL BE AVOIDED. LAP LENGTH IS 50d (d IS DIAMETRE OR BAR)
9. 
 - INDICATES TOP BARS
 - INDICATES BOTTOM BARS
 - Opening in structural element
 - p.c.c work
 - Brick work
10. ALL R.C.C. TO BE MACHINE MIXED, VIBRATED AND SURED THOROUGHLY AS PER IS 456-LATEST.
11. ALL FOOTING ARE CENTRALLY PLACED WITH RESPECTED TO THE CENTER LINE OF COLUMN
12. REINFORCEMENT SHALL BE PROVIDED IN TWO LAYERS WHEREVER FOUND NECESSARY WITH SPACER BAR TO BE PROVIDED BETWEEN TWO LAYERS OF REINFORCEMENTS AS PER IS:456, SPACER BAR IS 10mm
13. ALL DIMENSIONS MUST BE CHECKED WITH ARCHITECT'S DRGS & IN CASE OF ANY DISCREPANCY ARCHITECTS DRGS SHALL PREVAIL.
14. ALL CONSTRUCTION JOINTS SHALL BE APPROVED BY CONSULTANT ON THE BASIC OF SCHEME PREPARED BY CONTRACTOR.
15. TOP AND BOTTOM EXTRA BARS IN BEAMS TO EXTEND BEYOND THE FACE OF SUPPORT AS SHOWN IN DWG UNLESS OTHERWISE SHOWN.
16. THE FIRST STIRRUPS IN BEAMS SHALL BE AT A DISTANCE OF 50MM FROM THE JOINT FACE THE SPECIAL CONFINING REINFORCEMENT SHALL BE PROVIDED THROUGH THE JOINT AT THE GIVEN SPACING IN COLUMNS.
17. ALL ANGLES ARE RIGHT ANGLES UNLESS OTHERWISE SPECIFIED.
18. PROVIDE DIST STEEL OVER EXTRA TOP BARS IS: 8 @ 150 C/C (6")
19. BLACK COTTON SOIL IF ENCOUNTERED IN FN PITS, SHALL BE FULLY REMOVED.
20. ALL LOOSE POCKETS OF SOIL BELOW FOUNDATION SHALL BE FILLED WITH P.S.S:1:4:8



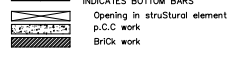

STRUCTO CREATIONS
 STRUCTURE CONSULTANTS
 R-210, Basement Laxmi Nagar,
 Delhi-110092
 Lic. No. AM1778350

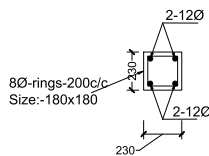
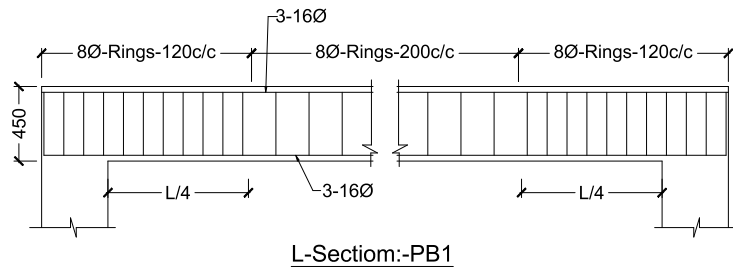
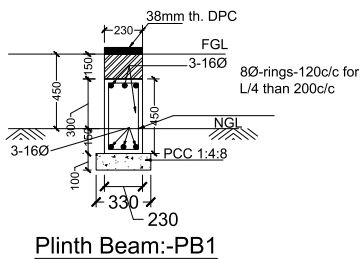
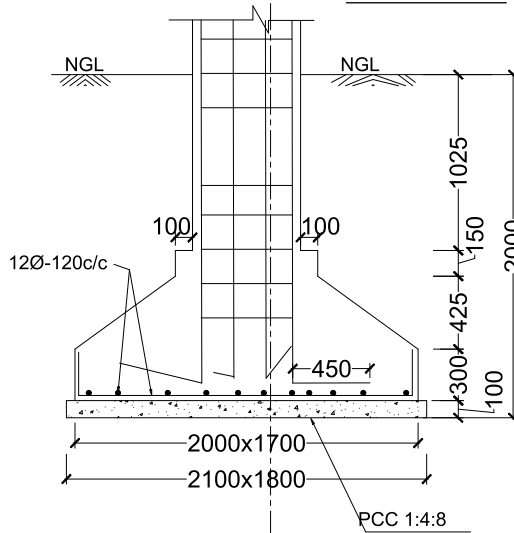
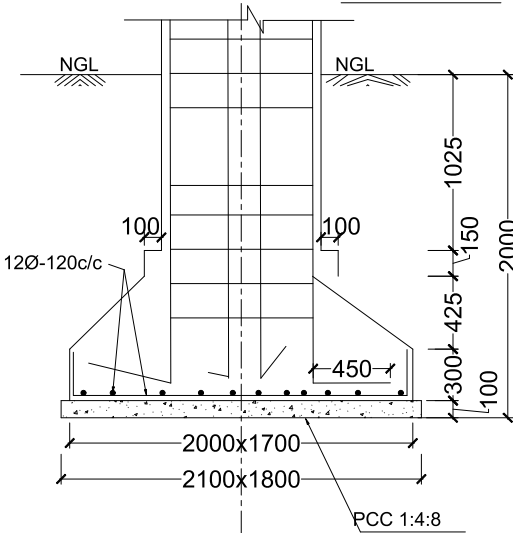
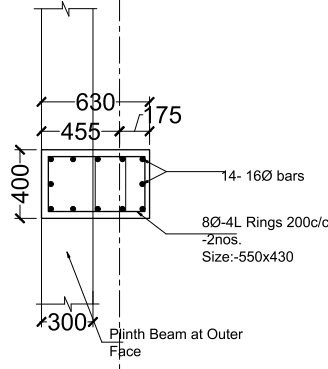
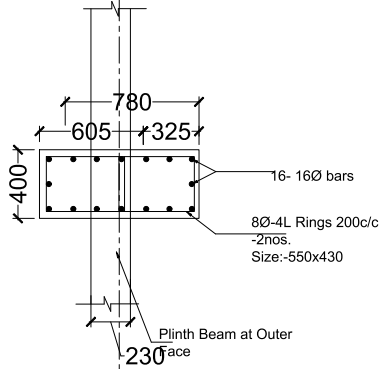
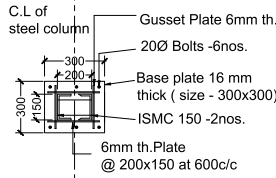
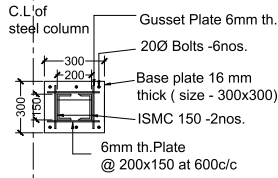
PLINTH BEAM PLAN

STRUCTO CREATIONS (STRUCTURE CONSULTANT) JAGAT RAM PARK, LAXMI NAGAR, NEW DELHI -110092 EMAIL : msansari6313@gmail.com	NAME OF PROJECT : JORHAT AGRO PRIVATE LIMITED C/O SRI PALASH HAZARIKA MS HAZARIKA, RICE MILL KHERAMA KACHARI GAON BORHOLLA, JORHAT , JORHAT ,ASSAM , INDIA, 785631	CLIENT / SPV : JORHAT AGRO PRIVATE LIMITED	DRAWING TITLE - RICE MILL PLINTH BEAM PLAN
		DRAWING NO. 02-04	PUPOSE - TENDER DRAWING Drawn By :- Saeed Ansari
			DATE- 09-09-2021

GENERAL NOTES -

NOTES & REFERENCES

1. READ THIS DRAWING IN CONJUNCTION WITH RELEVANT ARCHITECTURAL DRAWINGS. ANY DISCREPANCY IF FOUND SHALL BE BROUGHT TO THE NOTICE OF CONSULTANT
2. ALL DIMENSIONS ARE IN MM & LEVELS IN MILLIMETERS.
3. DO NOT SCALE ANY DIMENSION.
4. CONFIRM LOCATION OF WALLS WITH RELEVANT ARCH. DRGS
5. CONCRETE GRADE IS M25
6. THE REINFORCEMENT SHALL BE SOLDTWISTED DEFORMED BARS (S.13) OR T.A.T. BARS HAVING YIELD STRENGTH NOT LESS THAN $500 N/mm^2$ AND CONFORMING TO I.S. 1786 - 2006.
7. THE CLEAR COVER TO THE REINFORCEMENT SHALL BE AS FOLLOWS:-
 - (a) FOUNDATION : 50 MM
 - (b) COLUMNS : 40 MM
 - (S) BEAMS (top & bottom) 30 MM side Cover 25mm
 - (d) SLABS : 25 MM
 - (e) CHAJJAS/CANOPY : 30 MM
 - (f) R.C.C. WALL 30 MM(EARTH FACE) & 25MM(INNER FACE)
8. NOT MORE THAN 50% OF THE BARS SHALL BE LAPPED AT ANY SECTION. LAPS CLOSE TO THE MID SPAN IN BOTTOM BARS & CLOSE TO SUPPORTS IN TOP BARS SHALL BE AVOIDED. LAP LENGTH IS 50d (d IS DIAMETRE OR BAR)
9. - - - - - INDICATES TOP BARS
 - - - - - INDICATES BOTTOM BARS

10. ALL R.C.C. TO BE MACHINE MIXED, VIBRATED AND SURED THOROUGHLY AS PER IS 456-LATEST.
11. ALL FOOTING ARE CENTRALLY PLACED WITH RESPECTED TO THE CENTER LINE OF COLUMN
12. REINFORCEMENT SHALL BE PROVIDED IN TWO LAYERS WHEREVER FOUND NECESSARY WITH SPACER BAR TO BE PROVIDED BETWEEN TWO LAYERS OF REINFORCEMENTS AS PER IS:456-SPACER BAR
13. ALL DIMENSIONS MUST BE CHECKED WITH ARCHITECT'S DRGS & IN CASE OF ANY DISCREPANCY ARCHITECTS DRGS SHALL PREVAIL.
14. ALL CONSTRUCTION JOINTS SHALL BE APPROVED BY CONSULTANT ON THE BASIS OF SCHEME PREPARED BY CONTRACTOR.
15. TOP AND BOTTOM EXTRA BARS IN BEAMS TO EXTEND BEYOND THE FACE OF SUPPORT AS SHOWN IN DWG UNLESS OTHERWISE SHOWN.
16. THE FIRST STIRRUPS IN BEAMS SHALL BE AT A DISTANCE OF 50MM FROM THE JOINT FACE THE SPECIAL CONFINING REINFORCEMENT SHALL BE PROVIDED THROUGH THE JOINT AT THE GIVEN SPACING IN COLUMNS.
17. ALL ANGLES ARE RIGHT ANGLES UNLESS OTHERWISE SPECIFIED.
18. PROVIDE DIST STEEL OVER EXTRA TOP BARS IS: 8 @ 150 C/C (6")
 8 @ 150 C/C (6")
19. BLACK COTTON SOIL IF ENCOUNTERED IN FN PITS, SHALL BE FULLY REMOVED.
20. ALL LOOSE POCKETS OF SOIL BELOW FOUNDATION SHALL BE FILLED WITH P.S.S:1:4:8



Column C1 from the pedestal reinforcement used from the pedestal



STRUCTO CREATIONS
(STRUCTURE CONSULTANT)

JAGAT RAM PARK,
LAXMI NAGAR, NEW DELHI -110092
EMAIL : msansari6313@gmail.com

NAME OF PROJECT :

JORHAT AGRO PRIVATE LIMITED C/O SRI PALASH HAZARIKA MS HAZARIKA, RICE MILL KHERAMA KACHARI GAON BORHOLLA, JORHAT , JORHAT ,ASSAM , INDIA, 785631

CLIENT / SPV :

JORHAT AGRO PRIVATE LIMITED

DRAWING NO.

02-05

DRAWING TITLE -
RICE MILL
FOUNDATION DETAIL

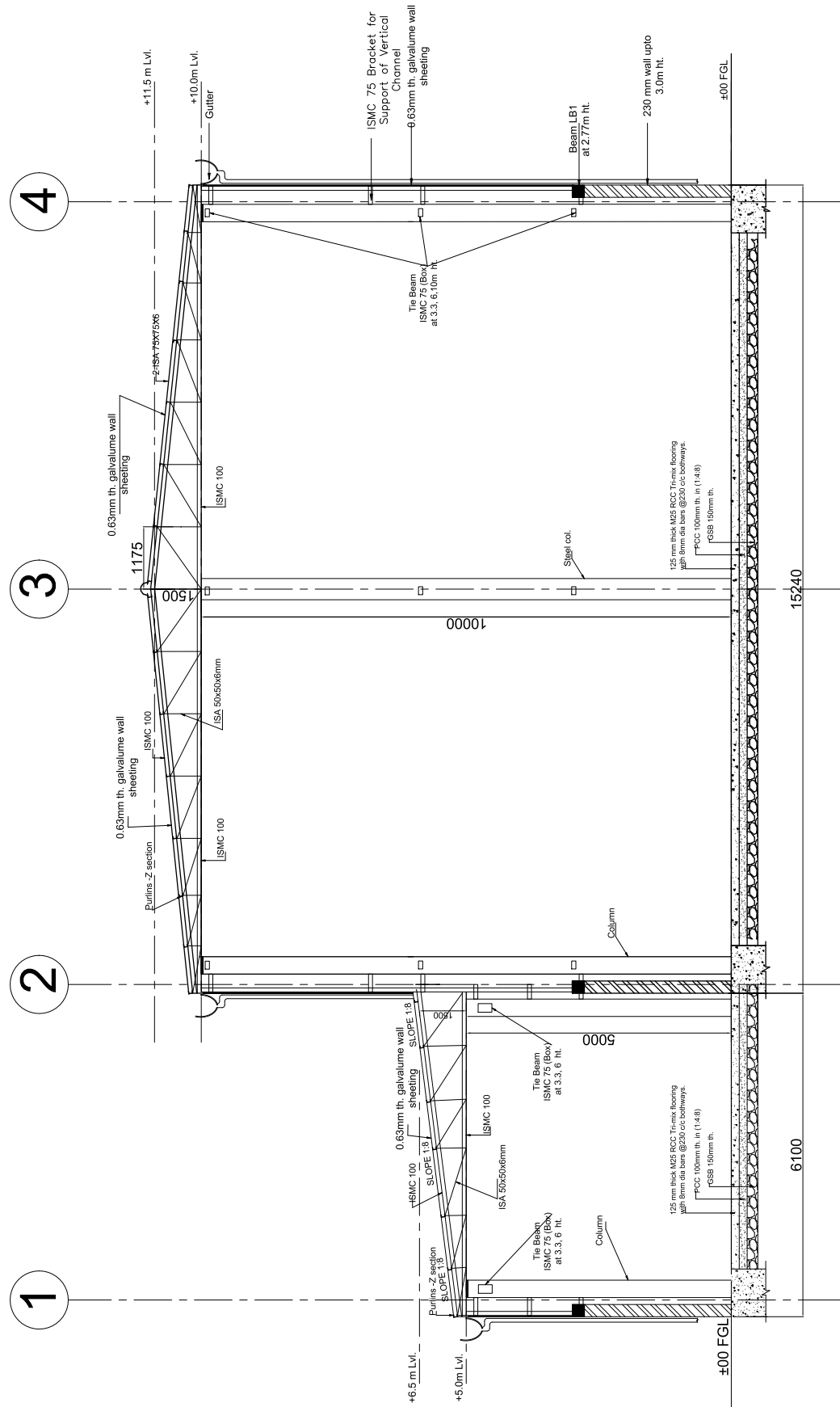
PUPOSE - TENDER DRAWING

Drawn By :- Saeed Ansari

DATE- 09-09-2021



STRUCTO CREATIONS (STRUCTURE CONSULTANT) JAGAT RAM PARK LAXMI NAGAR, NEW DELHI - 110092 EMAIL : msansari6313@gmail.com	CLIENT/SPV : JORHAT AGRO PRIVATE LIMITED	NAME OF PROJECT : JORHAT AGRO PRIVATE LIMITED C/O SRI PALASH HAZARIKA MS HAZARIKA, RICE MILL, KHERAMA KACHARI GAON BORHOLLA, JORHAT , JORHAT ,ASSAM , INDIA, 78663
Drawing Title : MILLING & RICE ROOM SECTION		
Drawn By :- Saeed Ansari Date : 09.09.2021 Drawing No - 02-06		
PURPOSE : TENDER DRAWING REVISION : -		



SECTION



STRUCTO CREATIONS
STRUCTURE CONSULTANTS
 R-210, Indraprastha Schemes, Connaught Place, New Delhi-110029
 L1c. No. AM1778350

STRUCTO CREATIONS
 (STRUCTURE CONSULTANTS)
 JAGAT RAM PARK
 LAXMI NAGAR, NEW DELHI -110092
 EMAIL : msansari6313@gmail.com

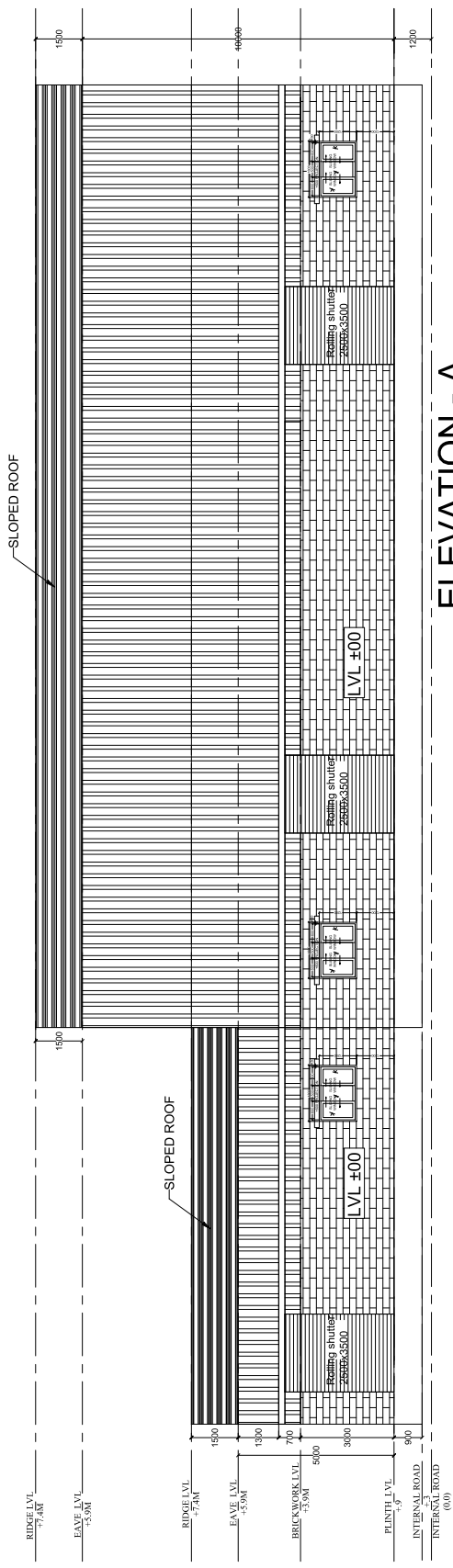
CLIENT/SPV :
JORHAT AGRO
PRIVATE LIMITED

NAME OF PROJECT :
 JORHAT AGRO PRIVATE LIMITED
 C/O SRI PALASH HAZARIKA
 MS HAZARIKA, RICE MILL
 KHERAMA KACHARI GAON BORHOLLA,
 JORHAT , JORHAT ,ASSAM , INDIA, 78663

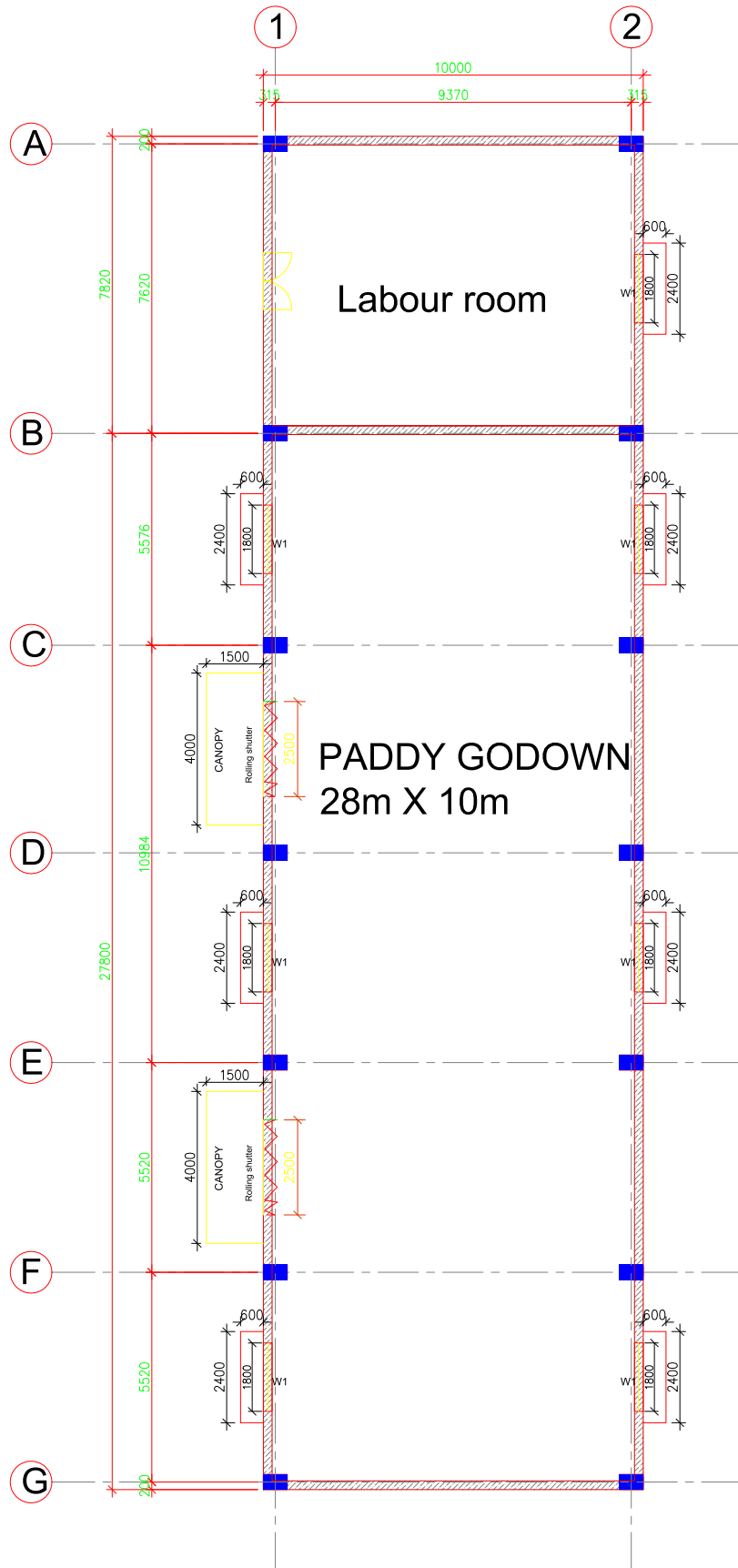
Drawing Title :
 MILLING & RICE ROOM
 ELEVATION

Drawn By :- Saeed Ansari
Date : 09.09.2021
Drawing No -

02-07
PURPOSE : TENDER
DRAWING
REVISION : -



ELEVATION - A



PADDY GODOWN PLAN



STRUCTO CREATIONS
(STRUCTURE CONSULTANT)

JAGAT RAM PARK,
LAXMI NAGAR, NEW DELHI -110092
EMAIL : msansari6313@gmail.com

NAME OF PROJECT :

JORHAT AGRO PRIVATE
LIMITED C/O SRI PALASH
HAZARIKA MS HAZARIKA,
RICE MILL KHERAMA KACHARI
GAON BORHOLLA, JORHAT ,
JORHAT ,ASSAM , INDIA, 785631

CLIENT / SPV :

JORHAT AGRO
PRIVATE LIMITED

DRAWING NO.

03-01

DRAWING TITLE -
PADDY GODOWN PLAN

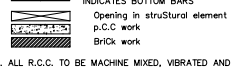
PUPOSE - TENDER DRAWING

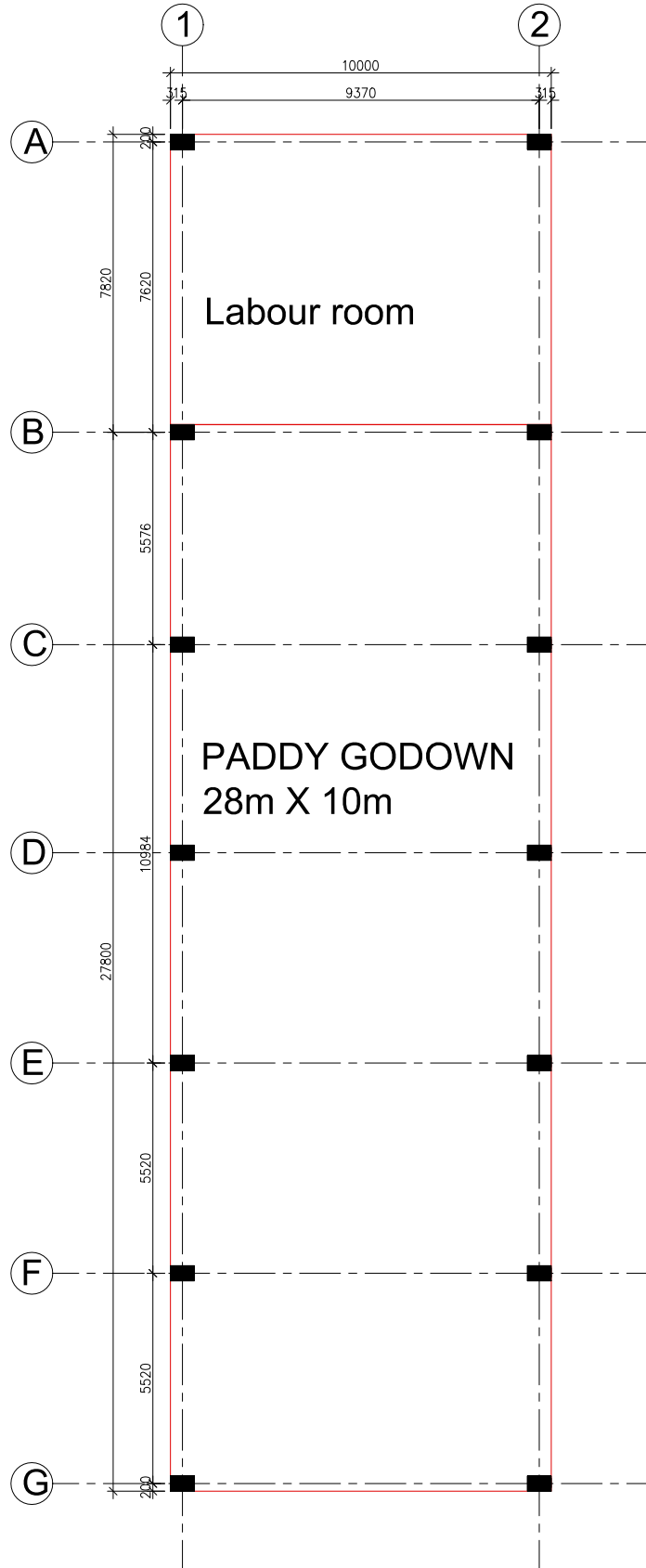
Drawn By :- Saeed Ansari

DATE- 09-09-2021

GENERAL NOTES -

NOTES & REFERENCES

1. READ THIS DRAWING IN CONJUNCTION WITH RELEVANT ARCHITECTURAL DRAWINGS. ANY DISCREPANCY IF FOUND SHALL BE BROUGHT TO THE NOTICE OF CONSULTANT
2. ALL DIMENSIONS ARE IN MM & LEVELS IN MILLIMETERS.
3. DO NOT SCALE ANY DIMENSION.
4. CONFIRM LOCATION OF WALLS WITH RELEVANT ARCH. DRG.S
5. CONCRETE GRADE IS M25
6. THE REINFORCEMENT SHALL BE SOLDTWISTED DEFORMED BARS (S.12) OR T.M.T. BARS HAVING YIELD STRENGTH NOT LESS THAN 500 N/mm² AND CONFORMING TO I.S. 1786 - 2006.
7. THE CLEAR COVER TO THE REINFORCEMENT SHALL BE AS FOLLOWS:-
 - (a) FOUNDATION : 50 MM
 - (b) COLUMNS : 40 MM
 - (c) BEAMS (top & bottom) 30 MM side Cover 25mm
 - (d) SLABS : 25 MM
 - (e) CHAJJAS/CANOPY : 30 MM
 - (f) R.C.C. WALL : 30 MM(EARTH FACE) & 25MM(INNER FACE)
8. NOT MORE THAN 50% OF THE BARS SHALL BE LAPPED AT ANY SECTION. LAPS CLOSE TO THE MID SPAN IN BOTTOM BARS & CLOSE TO SUPPORTS IN TOP BARS SHALL BE AVOIDED. LAP LENGTH IS 50d (d IS DIAMETRE OR BAR)
9. ----- INDICATES TOP BARS
 ----- INDICATES BOTTOM BARS

10. ALL R.C.C. TO BE MACHINE MIXED, VIBRATED AND SURED THOROUGHLY AS PER I.S 456-LATEST.
11. ALL FOOTING ARE CENTRALLY PLACED WITH RESPECTED TO THE CENTER LINE OF COLUMN
12. REINFORCEMENT SHALL BE PROVIDED IN TWO LAYERS WHEREVER FOUND NECESSARY WITH SPACER BAR TO BE PROVIDED BETWEEN TWO LAYERS OF REINFORCEMENTS AS PER IS:456-SPACER BARS
13. ALL DIMENSIONS MUST BE CHECKED WITH ARCHITECT'S DRG.S & IN CASE OF ANY DISCREPANCY ARCHITECTS DRG.S SHALL PREVAIL.
14. ALL CONSTRUCTION JOINTS SHALL BE APPROVED BY CONSULTANT ON THE BASIC OF SCHEME PREPARED BY CONTRACTOR.
15. TOP AND BOTTOM EXTRA BARS IN BEAMS TO EXTEND BEYOND THE FACE OF SUPPORT AS SHOWN IN DWG UNLESS OTHERWISE SHOWN.
16. THE FIRST STIRRUPS IN BEAMS SHALL BE AT A DISTANCE OF 50MM FROM THE JOINT FACE THE SPECIAL CONFINING REINFORCEMENT SHALL BE PROVIDED THROUGH THE JOINT AT THE GIVEN SPACING IN COLUMNS.
17. ALL ANGLES ARE RIGHT ANGLES UNLESS OTHERWISE SPECIFIED.
18. PROVIDE DIST STEEL OVER EXTRA TOP BARS IS: 8 @ 150 C/C (6")
19. BLACK COTTON SOIL IF ENCOUNTERED IN FN PITS, SHALL BE FULLY REMOVED.
20. ALL LOOSE POCKETS OF SOIL BELOW FOUNDATION SHALL BE FILLED WITH P.S.S:1:4:8



PADDY GODOWN
CENTER LINE PLAN



STRUCTO CREATIONS
(STRUCTURE CONSULTANT)

JAGAT RAM PARK,
LAXMI NAGAR, NEW DELHI -110092
EMAIL : msansari6313@gmail.com

NAME OF PROJECT :

JORHAT AGRO PRIVATE
LIMITED C/O SRI PALASH
HAZARIKA MS HAZARIKA,
RICE MILL KHERAMA KACHARI
GAON BORHOLLA, JORHAT ,
JORHAT ,ASSAM , INDIA, 785631

CLIENT / SPV :

JORHAT AGRO
PRIVATE LIMITED

DRAWING NO.

03-02

DRAWING TITLE -
PADDY GODOWN
CENTER LINE PLAN

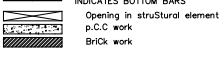
PUPOSE - TENDER DRAWING

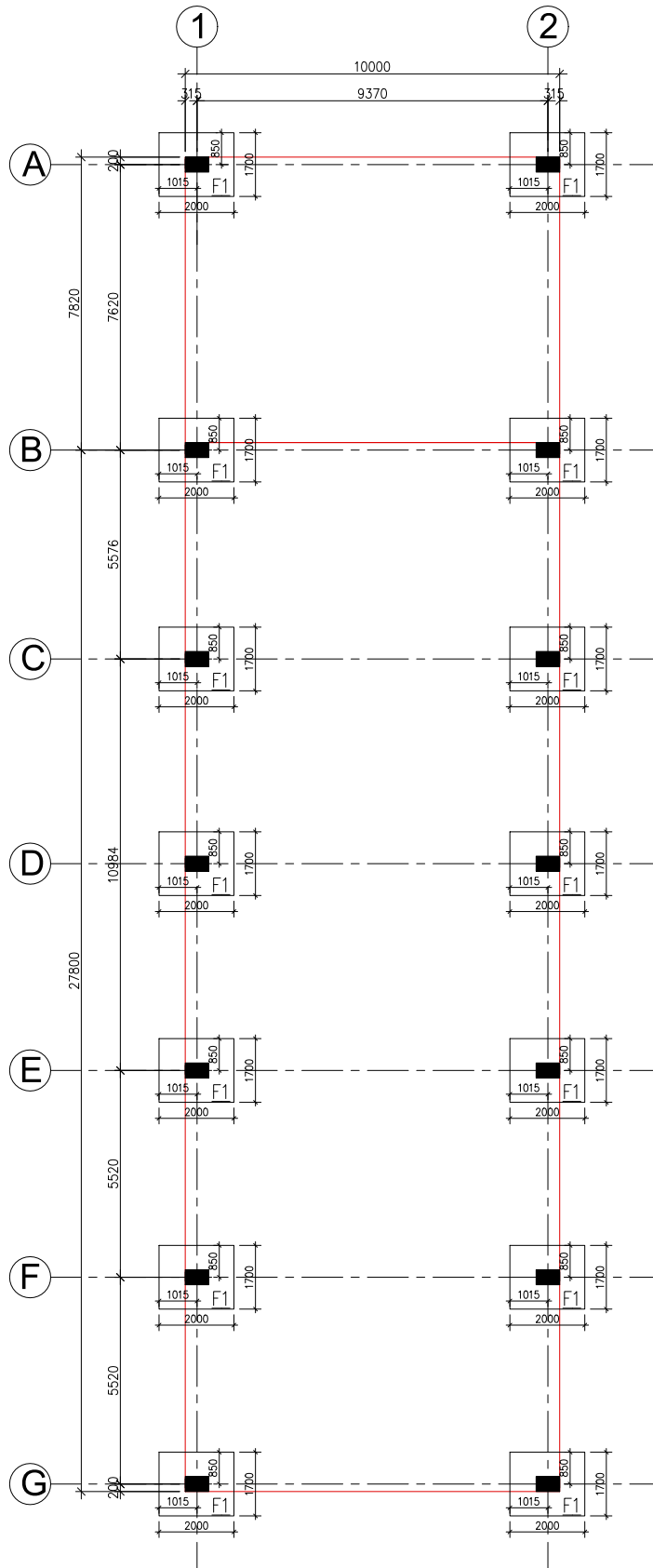
Drawn By :- Saeed Ansari

DATE- 09-09-2021

GENERAL NOTES -

NOTES & REFERENCES

1. READ THIS DRAWING IN CONJUNCTION WITH RELEVANT ARCHITECTURAL DRAWINGS. ANY DISCREPANCY IF FOUND SHALL BE BROUGHT TO THE NOTICE OF CONSULTANT
2. ALL DIMENSIONS ARE IN MM & LEVELS IN MILLIMETERS. DO NOT SCALE ANY DIMENSION.
4. CONFIRM LOCATION OF WALLS WITH RELEVANT ARCH. DRGS
5. CONCRETE GRADE IS M25
6. THE REINFORCEMENT SHALL BE SOLDTWISTED DEFORMED BARS (S.12) OR T.M.T. BARS HAVING YIELD STRENGTH NOT LESS THAN 500 N/mm² AND CONFORMING TO I.S. 1786 - 2006.
7. THE CLEAR COVER TO THE REINFORCEMENT SHALL BE AS FOLLOWS:-
 - (a) FOUNDATION : 50 MM
 - (b) COLUMNS : 40 MM
 - (c) BEAMS (top & bottom) 30 MM side Cover 25mm
 - (d) SLABS : 25 MM
 - (e) CHAJJAS/CANOPY : 30 MM
 - (f) R.C.C. WALL 30 MM(EARTH FACE) & 25MM(INNER FACE)
8. NOT MORE THAN 50% OF THE BARS SHALL BE LAPPED AT ANY SECTION. LAPS CLOSE TO THE MID SPAN IN BOTTOM BARS & CLOSE TO SUPPORTS IN TOP BARS SHALL BE AVOIDED. LAP LENGTH IS 50d (d IS DIAMETRE OF BAR)
9. - - - - - INDICATES TOP BARS
 - - - - - INDICATES BOTTOM BARS

10. ALL R.C.C. TO BE MACHINE MIXED, VIBRATED AND SURED THOROUGHLY AS PER I.S 456-LATEST.
11. ALL FOOTING ARE CENTRALLY PLACED WITH RESPECTED TO THE CENTER LINE OF COLUMN
12. REINFORCEMENT SHALL BE PROVIDED IN TWO LAYERS WHEREVER FOUND NECESSARY WITH SPACER BAR TO BE PROVIDED BETWEEN TWO LAYERS OF REINFORCEMENTS AS PER IS:456-SPACER BAR 47
13. ALL DIMENSIONS MUST BE CHECKED WITH ARCHITECT'S DRGS & IN CASE OF ANY DISCREPANCY ARCHITECTS DRGS SHALL PREVAIL.
14. ALL CONSTRUCTION JOINTS SHALL BE APPROVED BY CONSULTANT ON THE BASIS OF SCHEME PREPARED BY CONTRACTOR.
15. TOP AND BOTTOM EXTRA BARS IN BEAMS TO EXTEND BEYOND THE FACE OF SUPPORT AS SHOWN IN DWG UNLESS OTHERWISE SHOWN.
16. THE FIRST STIRRUPS IN BEAMS SHALL BE AT A DISTANCE OF 50MM FROM THE JOINT FACE THE SPECIAL CONFINING REINFORCEMENT SHALL BE PROVIDED THROUGH THE JOINT AT THE GIVEN SPACING IN COLUMNS.
17. ALL ANGLES ARE RIGHT ANGLES UNLESS OTHERWISE SPECIFIED.
18. PROVIDE DIST STEEL OVER EXTRA TOP BARS IS: 8 @ 150 C/C (6")
19. BLACK COTTON SOIL IF ENCOUNTERED IN FN PITS, SHALL BE FULLY REMOVED.
20. ALL LOOSE POCKETS OF SOIL BELOW FOUNDATION SHALL BE FILLED WITH P.S.S:1:4:8



PADDY GODOWN FOUNDATION PLAN


STRUCTO CREATIONS
 STRUCTURE CONSULTANTS
 R-210, Basement Laxmi Nagar,
 Delhi-110092
 Lic. No. AM1778350

STRUCTO CREATIONS
 (STRUCTURE CONSULTANT)

JAGAT RAM PARK,
 LAXMI NAGAR, NEW DELHI -110092
 EMAIL : msansari6313@gmail.com

NAME OF PROJECT :

JORHAT AGRO PRIVATE
 LIMITED C/O SRI PALASH
 HAZARIKA MS HAZARIKA,
 RICE MILL KHERAMA KACHARI
 GAON BORHOLLA, JORHAT ,
 JORHAT ,ASSAM , INDIA, 785631

CLIENT / SPV :

JORHAT AGRO
 PRIVATE LIMITED

DRAWING NO.

03-03

DRAWING TITLE -
 PADDY GODOWN
 FOUNDATION PLAN

PUPOSE - TENDER DRAWING

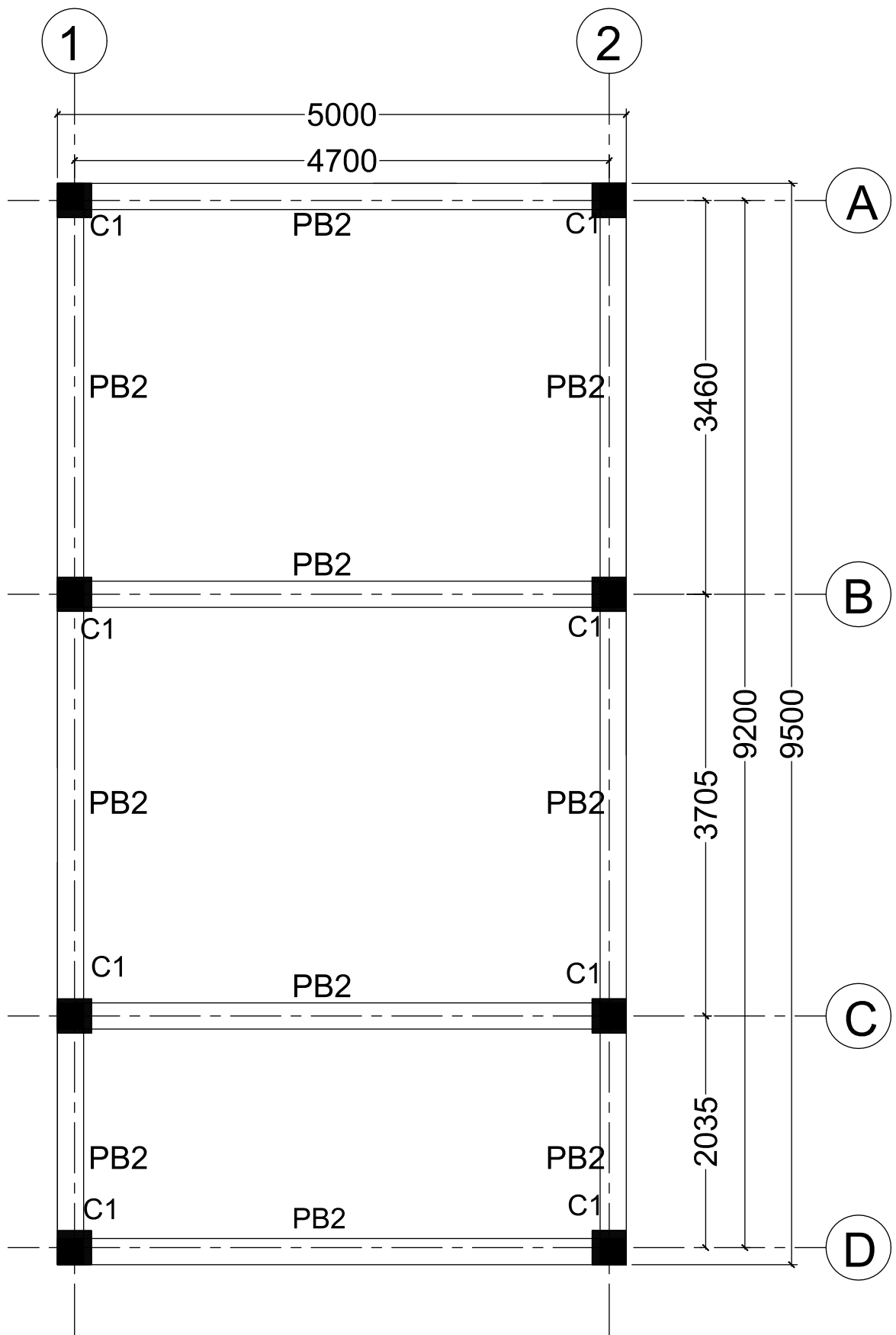
Drawn By :- Saeed Ansari

DATE- 09-09-2021

GENERAL NOTES -

NOTES & REFERENCES

1. READ THIS DRAWING IN CONJUNCTION WITH RELEVANT ARCHITECTURAL DRAWINGS. ANY DISCREPANCY IF FOUND SHALL BE BROUGHT TO THE NOTICE OF CONSULTANT.
2. ALL DIMENSIONS ARE IN MM & LEVELS IN MILLIMETERS.
3. DO NOT SCALE ANY DIMENSION.
4. CONFIRM LOCATION OF WALLS WITH RELEVANT ARCH. DRAWS.
5. CONCRETE GRADE IS M25.
6. THE REINFORCEMENT SHALL BE SOLWITHESTED DEFORMED BARS (S10) OR T&T, BARS HAVING YIELD STRENGTH NOT LESS THAN 500 N/MM² AND CONFORMING TO IS 1786 - 2006.
7. THE CLEAR COVER TO THE REINFORCEMENT SHALL BE AS FOLLOWS-
 (a) FOUNDATION : 50 MM
 (b) COLUMNS : 40 MM
 (c) BEAMS (top & bottom) 30 MM side Cover 25mm
 (d) SLABS : 25 MM
 (e) CHAJJAS/CANOPY : 30 MM
 (f) R.C.C. WALL : 30 MM(EARTH FACE) & 25MM(INNER FACE)
8. NOT MORE THAN ONE OF THE BARS SHALL BE LAPED AT ANY SECTION. LAPS CLOSE TO THE MID SPAN IN BOTTOM BARS & CLOSE TO SUPPORTS IN TOP BARS SHALL BE AVOIDED. LAPS SHALL BE AT LEAST 48 D (d IS DIAMETER OF BAR).
9. INDICATES TOP BARS
 INDICATES BOTTOM BARS
 Opening in structural element
 R.C.C. work
 Brick work
10. ALL R.C.C. TO BE MACHINE MIXED, VIBRATED AND CURED THOROUGHLY AS PER IS 456-LATEST.
11. ALL FOOTING ARE GENERALLY PLACED WITH RESPECTED TO THE CENTER LINE OF COLUMN.
12. REINFORCEMENT SHALL BE PROVIDED IN TWO LAYERS WHENEVER FOUND NECESSARY WITH SPACER BAR TO BE PROVIDED BETWEEN TWO LAYERS OF REINFORCEMENTS AS PER IS-456 "SPACER BARS".
13. ALL DIMENSIONS MUST BE CHECKED WITH ARCHITECT'S DRGS & IN CASE OF ANY DISCREPANCY ARCHITECTS DRGS SHALL PREVAIL.
14. ALL CONSTRUCTION JOINTS SHALL BE APPROVED BY CONSULTANT ON THE BASIS OF ENGINEERED BY CONTRACTOR.
15. TOP AND BOTTOM EXTRA BARS IN BEAMS TO EXTEND BEYOND THE FACE OF SUPPORT AS SHOWN IN DRG UNLESS OTHERWISE SHOWN.
16. THE FIRST STRUPTS IN BEAMS SHALL BE AT A DISTANCE OF 50MM FROM THE BARS FACE IN THE SPAN. CONCRETE REINFORCEMENT SHALL BE PROVIDED THROUGH THE JOINT AT THE OTHER SPANING IN COLUMN.
17. AS ANGLES ARE RIGHT ANGLES UNLESS OTHERWISE SPECIFIED.
18. PROVIDE DST STEEL OVER EXTRA TOP BARS @ 80MM C/C (Ø)
19. BLACK COTTON SOIL IF ENCOUNTERED IN FIN FITS, SHALL BE FULLY REMOVED.
20. ALL LOOSE ROCKETS OF SOIL BELOW FOUNDATION SHALL BE FILLED WITH F.F.S.S-49



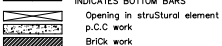
STRUCTO CREATIONS
 STRUCTURE CONSULTANTS
 R-210, Basement Laxmi Nagar,
 Delhi-110092
 Lic. No. AM1778350

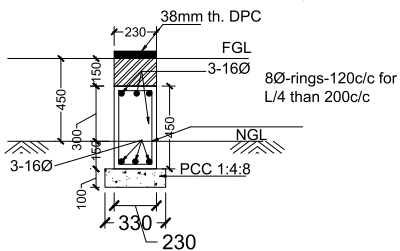
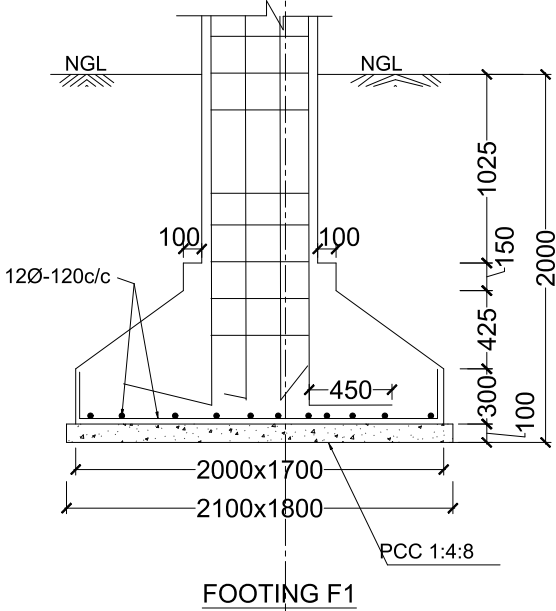
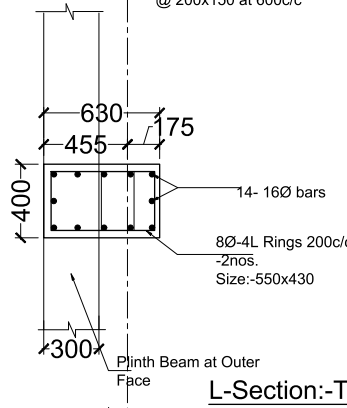
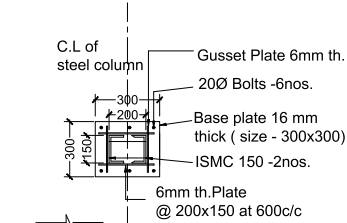
ADMIN PLINTH BEAM LAYOUT

STRUCTO CREATIONS (STRUCTURE CONSULTANT) JAGAT RAM PARK, LAXMI NAGAR, NEW DELHI -110092 EMAIL : msansari6313@gmail.com	NAME OF PROJECT : JORHAT AGRO PRIVATE LIMITED C/O SRI PALASH HAZARIKA MS HAZARIKA, RICE MILL KHERAMA KACHARI GAON BORHOLLA, JORHAT , JORHAT ,ASSAM , INDIA, 785631	CLIENT / SPV : JORHAT AGRO PRIVATE LIMITED	DRAWING TITLE - OFFICE BUILDING PLINTH BEAM PLAN
		DRAWING NO. 04-04	PUPOSE - TENDER DRAWING Drawn By :- Saeed Ansari
			DATE- 09-09-2021

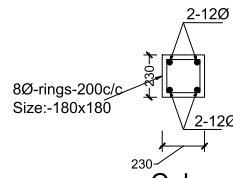
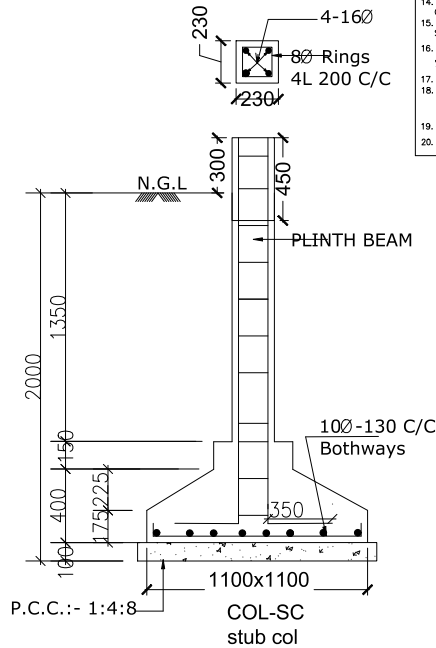
GENERAL NOTES -

NOTES & REFERENCES

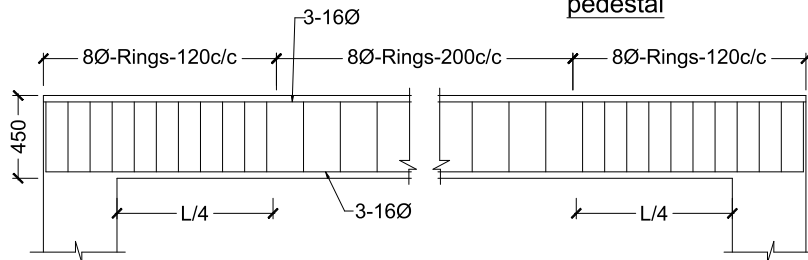
1. READ THIS DRAWING IN CONJUNCTION WITH RELEVANT ARCHITECTURAL DRAWINGS. ANY DISCREPANCY IF FOUND SHALL BE BROUGHT TO THE NOTICE OF CONSULTANT
2. ALL DIMENSIONS ARE IN MM & LEVELS IN MILLIMETERS.
3. DO NOT SCALE ANY DIMENSION.
4. CONFIRM LOCATION OF WALLS WITH RELEVANT ARCH. DRGS
5. CONCRETE GRADE IS M25
6. THE REINFORCEMENT SHALL BE SOLDTWISTED DEFORMED BARS (S.13) OR T.M.T. BARS HAVING YIELD STRENGTH NOT LESS THAN 500 N/mm² AND CONFORMING TO I.S. 1786 - 2006.
7. THE CLEAR COVER TO THE REINFORCEMENT SHALL BE AS FOLLOWS:-
 - (a) FOUNDATION : 50 MM
 - (b) COLUMNS : 40 MM
 - (c) BEAMS (top & bottom) 30 MM side Cover 25mm
 - (d) SLABS : 25 MM
 - (e) CHAJJAS/CANOPY : 30 MM
 - (f) R.C.C. WALL 30 MM(EARTH FACE) & 25MM(INNER FACE)
8. NOT MORE THAN 50% OF THE BARS SHALL BE LAPPED AT ANY SECTION. LAPS CLOSE TO THE MID SPAN IN BOTTOM BARS & CLOSE TO SUPPORTS IN TOP BARS SHALL BE AVOIDED. LAP LENGTH IS 50d (d IS DIAMETRE OF BAR)
9. - - - - - INDICATES TOP BARS
 - - - - - INDICATES BOTTOM BARS

10. ALL R.C.C. TO BE MACHINE MIXED, VIBRATED AND SURED THOROUGHLY AS PER IS 456-LATEST.
11. ALL FOOTING ARE CENTRALLY PLACED WITH RESPECTED TO THE CENTER LINE OF COLUMN
12. REINFORCEMENT SHALL BE PROVIDED IN TWO LAYERS WHEREVER FOUND NECESSARY WITH SPACER BAR TO BE PROVIDED BETWEEN TWO LAYERS OF REINFORCEMENTS AS PER IS 456-SPACER BAR
13. ALL DIMENSIONS MUST BE CHECKED WITH ARCHITECT'S DRGS & IN CASE OF ANY DISCREPANCY ARCHITECT'S DRGS SHALL PREVAIL.
14. ALL CONSTRUCTION JOINTS SHALL BE APPROVED BY CONSULTANT ON THE BASIS OF SCHEME PREPARED BY CONTRACTOR.
15. TOP AND BOTTOM EXTRA BARS IN BEAMS TO EXTEND BEYOND THE FACE OF SUPPORT AS SHOWN IN DWG UNLESS OTHERWISE SHOWN.
16. THE FIRST STIRRUPS IN BEAMS SHALL BE AT A DISTANCE OF 50MM FROM THE JOINT FACE THE SPECIAL CONFINING REINFORCEMENT SHALL BE PROVIDED THROUGH THE JOINT AT THE GIVEN SPACING IN COLUMNS.
17. ALL ANGLES ARE RIGHT ANGLES UNLESS OTHERWISE SPECIFIED.
18. PROVIDE DIST STEEL OVER EXTRA TOP BARS IS: 8@150 C/C (6")
 8@150 C/C (6")
19. BLACK COTTON SOIL IF ENCOUNTERED IN FN PITS, SHALL BE FULLY REMOVED.
20. ALL LOOSE POCKETS OF SOIL BELOW FOUNDATION SHALL BE FILLED WITH P.S.S:1:4:8



Plinth Beam:-PB1



Column C1 from the pedestal reinforcement used from the pedestal



L-Section:-PB1



STRUCTO CREATIONS
(STRUCTURE CONSULTANT)

JAGAT RAM PARK,
LAXMI NAGAR, NEW DELHI -110092
EMAIL : msansari6313@gmail.com

NAME OF PROJECT :

JORHAT AGRO PRIVATE LIMITED C/O SRI PALASH HAZARIKA MS HAZARIKA, RICE MILL KHERAMA KACHARI GAON BORHOLLA, JORHAT , JORHAT ,ASSAM , INDIA, 785631

CLIENT / SPV :

JORHAT AGRO PRIVATE LIMITED

DRAWING NO.

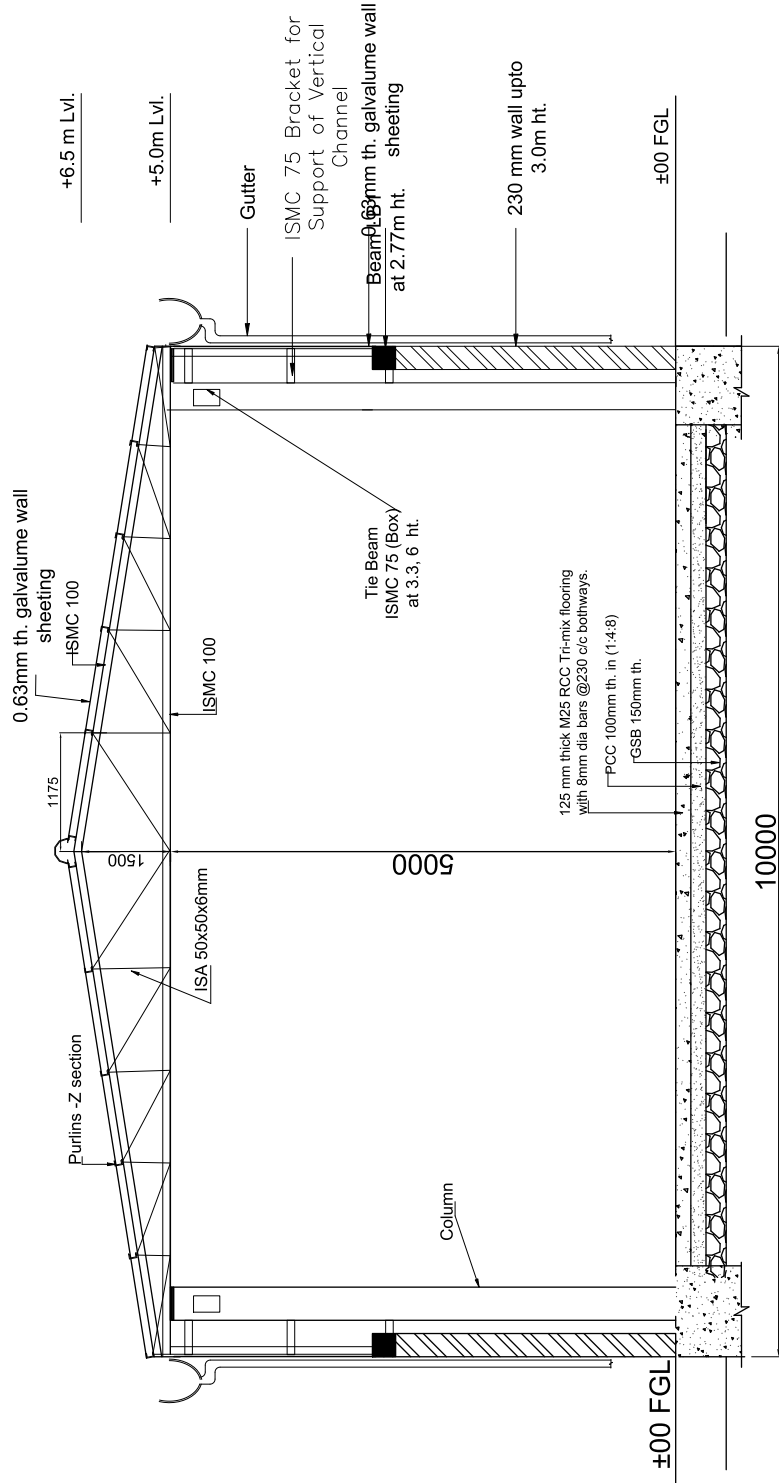
03-05

DRAWING TITLE - PADDY GODOWN STRUCTUE DETAIL

PUPOSE - TENDER DRAWING

Drawn By :- Saeed Ansari

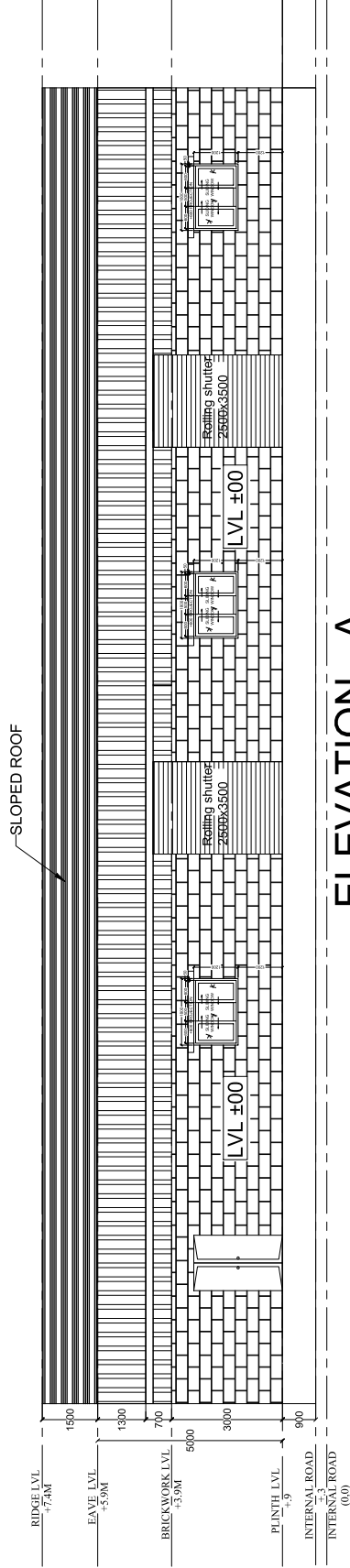
DATE- 09-09-2021



SECTION



STRUCTO CREATIONS (STRUCTURE CONSULTANT)
JAGAT RAM PARK, LAXMI NAGAR, NEW DELHI - 110092 EMAIL : msansari613@gmail.com
CLIENT/SPV : JORHAT AGRO PRIVATE LIMITED
NAME OF PROJECT : JORHAT AGRO PRIVATE LIMITED C/O SRI PALASH HAZARIKA MS HAZARIKA, RICE MILL, KHERAMA KACHARI GAON BORHOLLA, JORHAT , JORHAT , ASSAM , INDIA, 78663
Drawing Title : PADDY GODOWN SECTION
Drawn By :- Saeed Ansari Date : 09.09.2021 Drawing No - 03-06
PURPOSE : TENDER DRAWING
REVISION : -



STRUCTO CREATIONS
STRUCTURE CONSULTANTS
 R-210, Basement Laxmi Nagar,
 Delhi-110092
 Lic. No.: A/11778350

STRUCTO CREATIONS
 (STRUCTURE CONSULTANT)

JAGAT RAM PARK
 LAXMI NAGAR, NEW DELHI -110092
 EMAIL : msansari613@gmail.com

CLIENT/SPV :

JORHAT AGRO
 PRIVATE LIMITED

NAME OF PROJECT :

JORHAT AGRO PRIVATE LIMITED
 C/O SRI PALASH HAZARIKA
 MS HAZARIKA, RICE MILL,
 KHERAMA KACHARI GAON BORHOLLA,
 JORHAT , JORHAT ,ASSAM , INDIA, 78663

Drawing Title :

PADDY GODOWN
 ELEVATION

Drawn By :- Saeed Ansari

Date : 09.09.2021

Drawing No -

03-07

PURPOSE : TENDER
 DRAWING

REVISION : -

ELEVATION - A